

AL



ShadeZone
Alfresco Specialists

BATROS



EXTREMELY

SOLID

**Extremely solid, especially
the small models**

Optimal use of space

All-weather protection

Easy operation

**Professional additional
equipment**





Large ALBATROS models

These parasols are perfectly suitable for large outdoor catering areas. Parasol dimensions of up to 75 m² allow a wide scope of seating options. The straight design and the extra large sizes are impressive and create an exclusive atmosphere for your terrace.

Small ALBAROS models

These extremely robust and wind-proof parasols are especially suitable for exposed locations, e.g. coasts. Heavy-duty aluminium profiles combine an impressive appearance with enormous stability. For example, external engineers prove the ALBATROS 4.0 m x 4.0 m (12 segments) to be resistant at storm force 12.

ALBATROS 6.0 x 6.0 m
MayTex-Acryl SA 314 546 patina blue



ALBATROS



ALBATROS 4.0 x 5.0 m
MayTex-Acryl SA 314 325 ecru

Frame joints

For us perfection in workmanship is an absolute must. Therefore, all moving axes are fitted with easily removable bolts. This extravagant technology ensures maximum stability and durability as well as easy execution of repairs.



Central rod system

Discs with support struts and spokes. In order to prevent the spokes from getting twisted, the lower distribution flange is firmly welded to the support pole. The poles of our parasols are all made of high-quality alloyed, extruded aluminium profiles.

- support pole Ø 100 x 5 mm
- spoke dimensions 50 x 25 x 2 mm
- support strut dimensions 40 x 25 x 3 mm



Operating the parasol

ALBATROS, our large-area parasol, is opened and closed with a smooth-running, removable stainless steel crank or with the help of a cordless drill (hex drill fitting). The reliable drive-system with accurate integrated bevel gears guarantees effortless handling, even after years of usage. For a more convenient operation the giant parasol can be equipped with a tabular motor at extra charge.

Installation options

Mobile see page 166 onwards,
stationary see page 170 onwards.

You will find our product video at: may.ag/a_en



Top plate

Elegant and graceful. Can be screwed off. Colour matches to standard frame colours.

Valance options



Straight valance



Without valance

Canopy covering

Due to a special self-tensioning telescopic spring system the colour remains perfectly taut, even after years of usage. The canopy covering can easily and quickly be exchanged by means of a practical hooking system. For fabrics and colours see page 194 onwards.



High-quality framework materials

Frame surface is powder-coated, highly shock and impact-proof, available in following colours:



Standard colour:

- RAL 9010 pure white

Special colour, no extra charge:

- RAL 7016 anthracite grey fine structure

Special colours available on request.

When not in use

The protective cover provided can easily be slipped over the parasol during bad weather periods.

Mounting

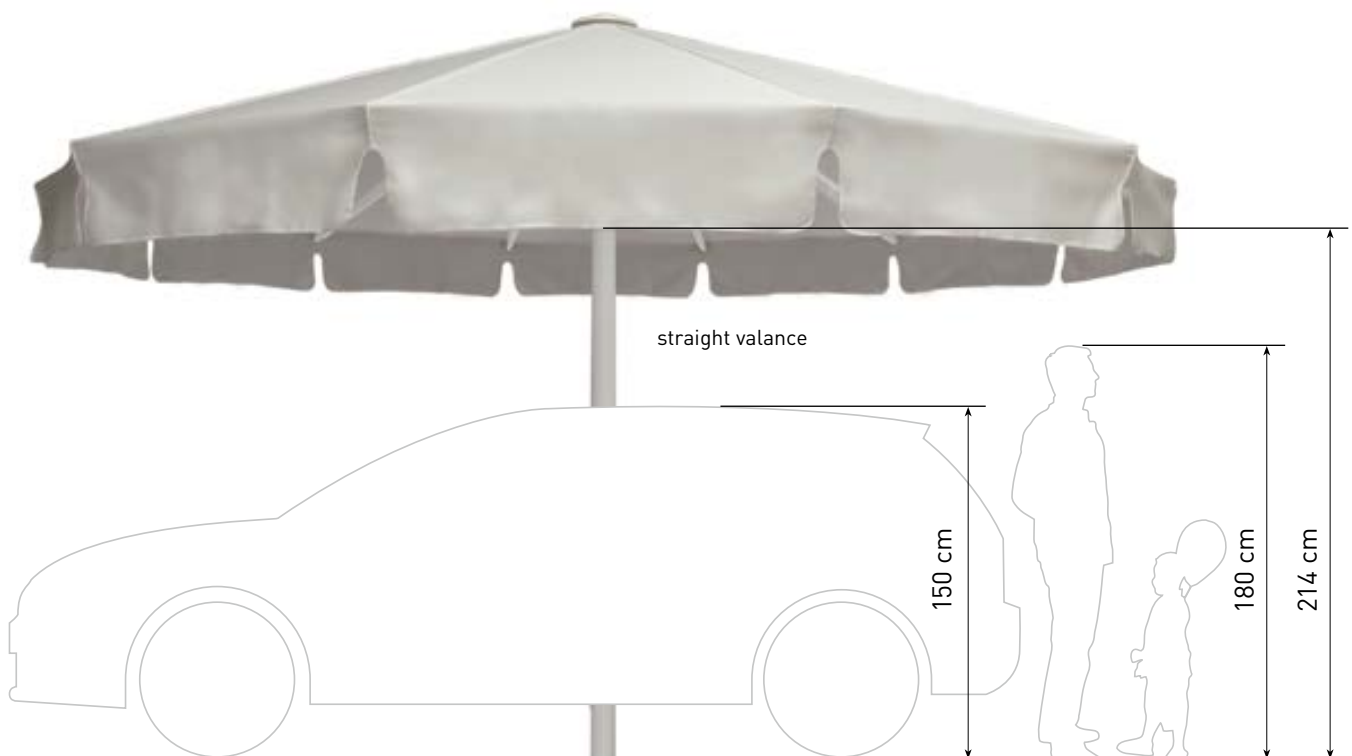
Pull parasol from cardboard sleeve, remove all packaging material, place parasol mast in installation base, that's all – ready for use in a jiffy!

Additional equipment

Side sheets see page 192 onwards, rain gutter see page 148 onwards, premium equipment see page 178 onwards.



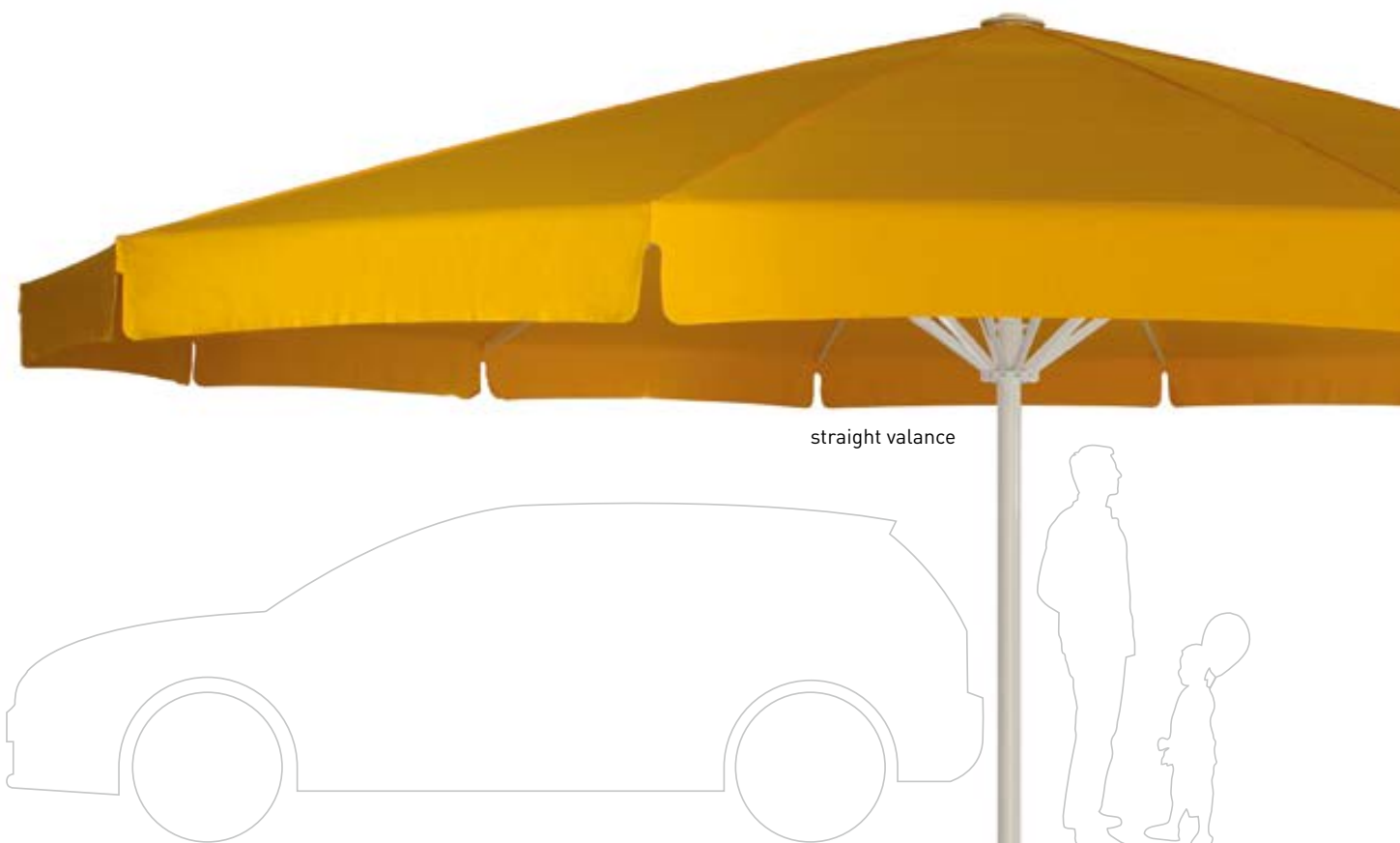
ALBATROS Ø 4.5 m
MayTex-Acryl SA 314 010 white
without valance



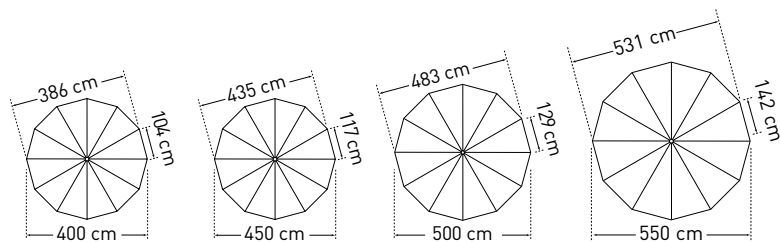
ALBATROS



ALBATROS Ø 8.0 m
MayTex-Acryl SA 314 003 yellow
without valance



straight valance



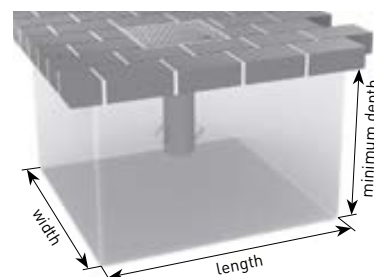
ALBATROS round		Ø 4.0 m	Ø 4.5 m	Ø 5.0 m	Ø 5.5 m	
Segments		12	12	12	12	
Area	m ²	12	15.2	18.8	22.7	
A	Height closed incl. top plate	cm	461	477	490	457
B	Height opened incl. top plate	cm	311	319	326	334
C	Headroom with valance	cm	214	214	214	214
D	Headroom without valance from spoke edge	cm	242	242	242	242
F	Ground clearance from spoke edge	cm	252	246	229	171
G	Crank height	cm	92	92	92	92
H	Height lower disc flange	cm	242	242	242	242
	Extended steel reinforcement		integrated	integrated	integrated	integrated
	Weight without packaging MayTex-Acryl without valance	kg	85	97	104	114
	Support pole diameter	mm	outer-Ø 100, pole thickness 5			
	Packaging cardboard sleeve Ø 45 cm		length 480 cm weight 34 kg	length 500 cm weight 36 kg	length 510 cm weight 36 kg	length 480 cm weight 34 kg
	Installation base length/width/min. depth	cm	60/60/60	65/65/60	70/70/60	70/70/60
	Minimum-ballast Number of layers of concrete slabs XZ49 required		6 x = approx. 672 kg	7 x = approx. 784 kg	8 x = approx. 896 kg	8 x = approx. 896 kg

¹⁾ When concrete slabs are used as ballast, the parasol cannot be fully closed because of the length of the spokes. In this case the length of the mast can be extended by 20 cm at an extra charge (see pricelist Accessories and Bases). Note that the height dimensions then have to be increased by 20 cm.

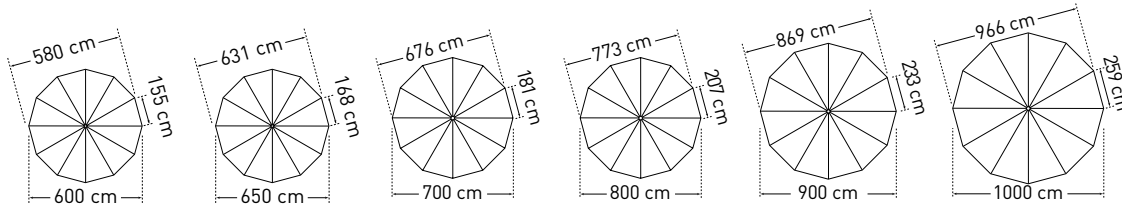
The heights specified are for parasols with MayTex-Acryl covering fabric that are mounted in an anchor tube AZ120. The increase in height for parasols with other installation bases can be seen in the list below:

Full frame pedestal:	AZ111	+	1.5 cm
Full frame pedestal:	AZ112	+	2 / 6 cm
Full frame pedestal:	AZ116	+	10 / 14 cm
Anchor plate:	AZ024	+	1.5 cm
Base plate:	AZ246	+	3 cm
Base plate:	AZ247	+	4.5 cm
Base plate:	AZ248	+	6 cm
Base plate:	AZ249	+	7.5 cm
Concrete parasol base:	AZ361 / AZ371	+	48.5 cm

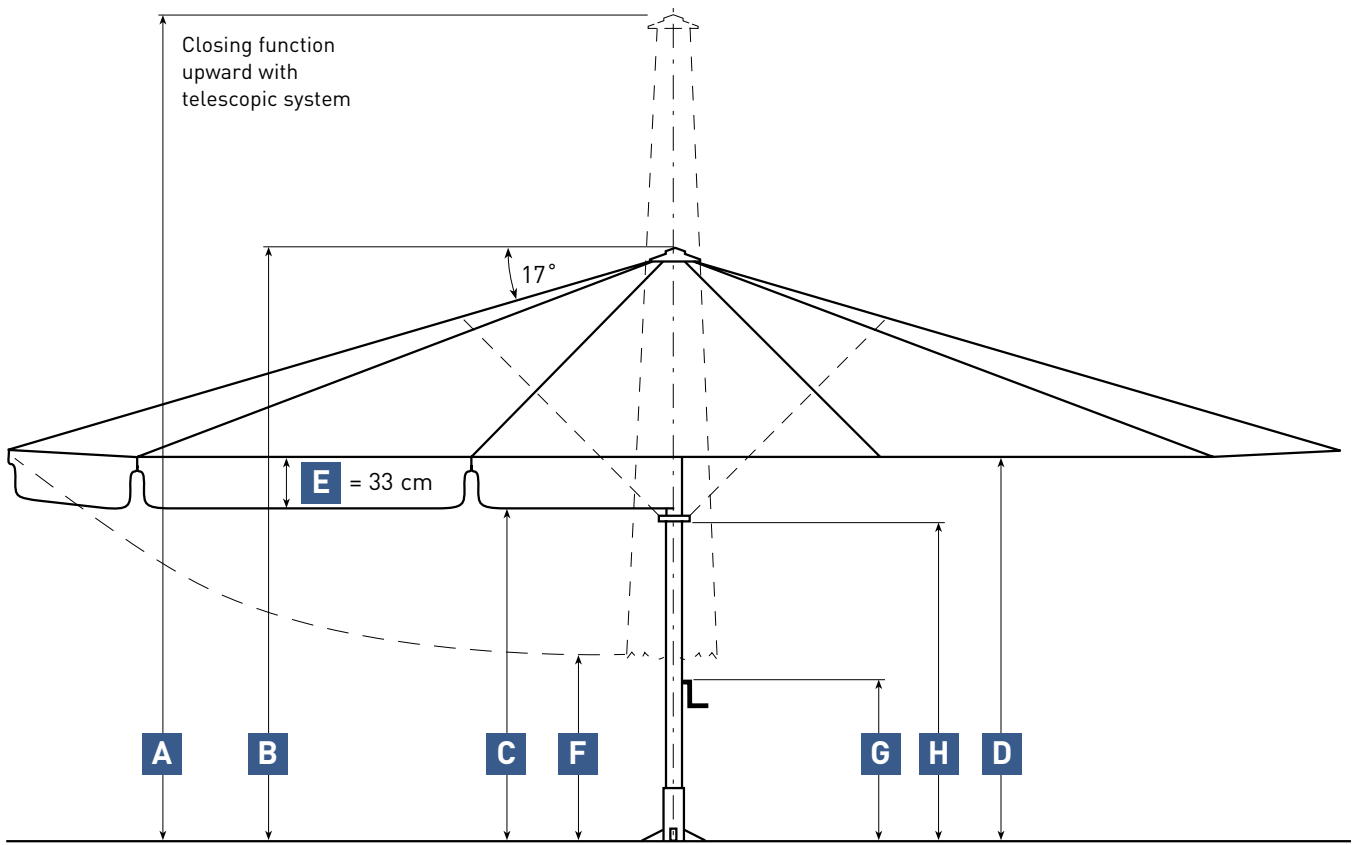
3D view of installation base with top plate for winter protection. Base must be frost-proof and enlarged if the ground is unstable.



Intermediate and special sizes on request.
Dimensional tolerance approx. 5%.



	Ø 6.0 m	Ø 6.5 m	Ø 7.0 m	Ø 8.0 m	Ø 9.0 m	Ø 10.0 m ¹⁾
	12	12	12	12	12	12
	27	31.7	36.8	48	60.8	75
A	529	500	520	535	550	565
B	342	350	345	360	375	390
C	214	214	217	217	217	212
D	242	242	245	245	242	240
F	216	161	155	120	85	50
G	92	92	92	92	92	92
H	242	242	190	205	220	235
	integrated	optional	optional	optional	optional	optional
	126	115	128	133	147	160
outer-Ø 100, pole thickness 5						
	length 560 cm weight 41 kg	length 530 cm weight 36 kg	length 560 cm weight 41 kg	length 560 cm weight 41 kg	length 560 cm weight 41 kg	length 560 cm weight 41 kg
	75/75/60	80/80/60	85/85/60	90/90/60	95/95/60	100/100/60
	9 x = approx. 1,008 kg	10 x = approx. 1,120 kg	11 x = approx. 1,232 kg	11 x = approx. 1,232 kg	12 x = approx. 1,344 kg	14 x = approx. 1,568 kg





***NEW!**

ALBATROS 3.5 x 3.5 m, 8 Segments
MayTex-Acryl SA 314 396 green/apple green, structured
without valance



straight valance



continuous valance

ALBATROS



ALBATROS 5.0 x 5.0 m, 12 Segments
MayTex-Acryl SA 314 030 light grey
without valance

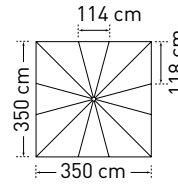
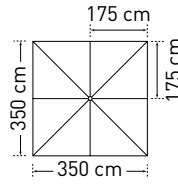


straight valance

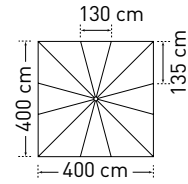
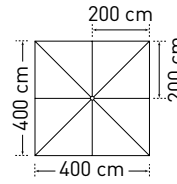


continuous valance

***NEW!**



***NEW!**



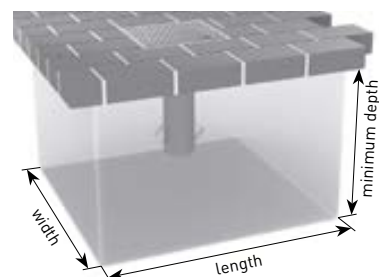
ALBATROS square		3.5 x 3.5 m	3.5 x 3.5 m	4.0 x 4.0 m	4.0 x 4.0 m
	Segments	8	12	8	12
	Area	m ² 12.3	12.3	16	16
A	Height closed incl. top plate	cm 448	450	461	458
B	Height opened incl. top plate	cm 304	308	311	311
C	Headroom with valance	cm 214	214	214	214
D	Headroom without valance from spoke edge	cm 242	242	242	242
F	Ground clearance from spoke edge	cm 187	195	166	169
G	Crank height	cm 92	92	92	92
H	Height lower disc flange	cm 242	242	242	242
	Extended steel reinforcement	integrated	integrated	integrated	integrated
	Weight without packaging MayTex-Acryl without valance	kg 64	89	73	93
	Support pole diameter	mm outer-Ø 100, pole thickness 5			
	Packaging cardboard sleeve Ø 45 cm	length 470 cm weight 33 kg	length 470 cm weight 33 kg	length 480 cm weight 34 kg	length 480 cm weight 34 kg
	Installation base length/width/min. depth	cm 60/60/60	60/60/60	65/65/60	70/70/60
	Minimum-ballast Number of layers of concrete slabs XZ49 required	6 x = approx. 672 kg	6 x = approx. 672 kg	7 x = approx. 784 kg	8 x = approx. 896 kg

¹⁾ When concrete slabs are used as ballast, the parasol cannot be fully closed because of the length of the spokes. In this case the length of the mast can be extended by 20 cm at an extra charge (see pricelist Accessories and Bases). Note that the height dimensions then have to be increased by 20 cm.

The heights specified are for parasols with MayTex-Acryl covering fabric that are mounted in an anchor tube AZ120. The increase in height for parasols with other installation bases can be seen in the list below:

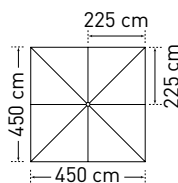
Full frame pedestal:	AZ111	+	1.5 cm
Full frame pedestal:	AZ112	+	2 / 6 cm
Full frame pedestal:	AZ116	+	10 / 14 cm
Anchor plate:	AZ024	+	1.5 cm
Base plate:	AZ246	+	3 cm
Base plate:	AZ247	+	4.5 cm
Base plate:	AZ248	+	6 cm
Base plate:	AZ249	+	7.5 cm
Concrete parasol base:	AZ361 / AZ371	+	48.5 cm

3D view of installation base with top plate for winter protection. Base must be frost-proof and enlarged if the ground is unstable.

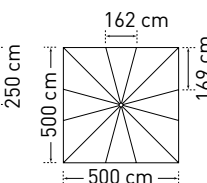
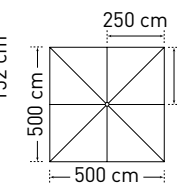
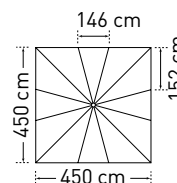


Intermediate and special sizes on request.
Dimensional tolerance approx. 5%.

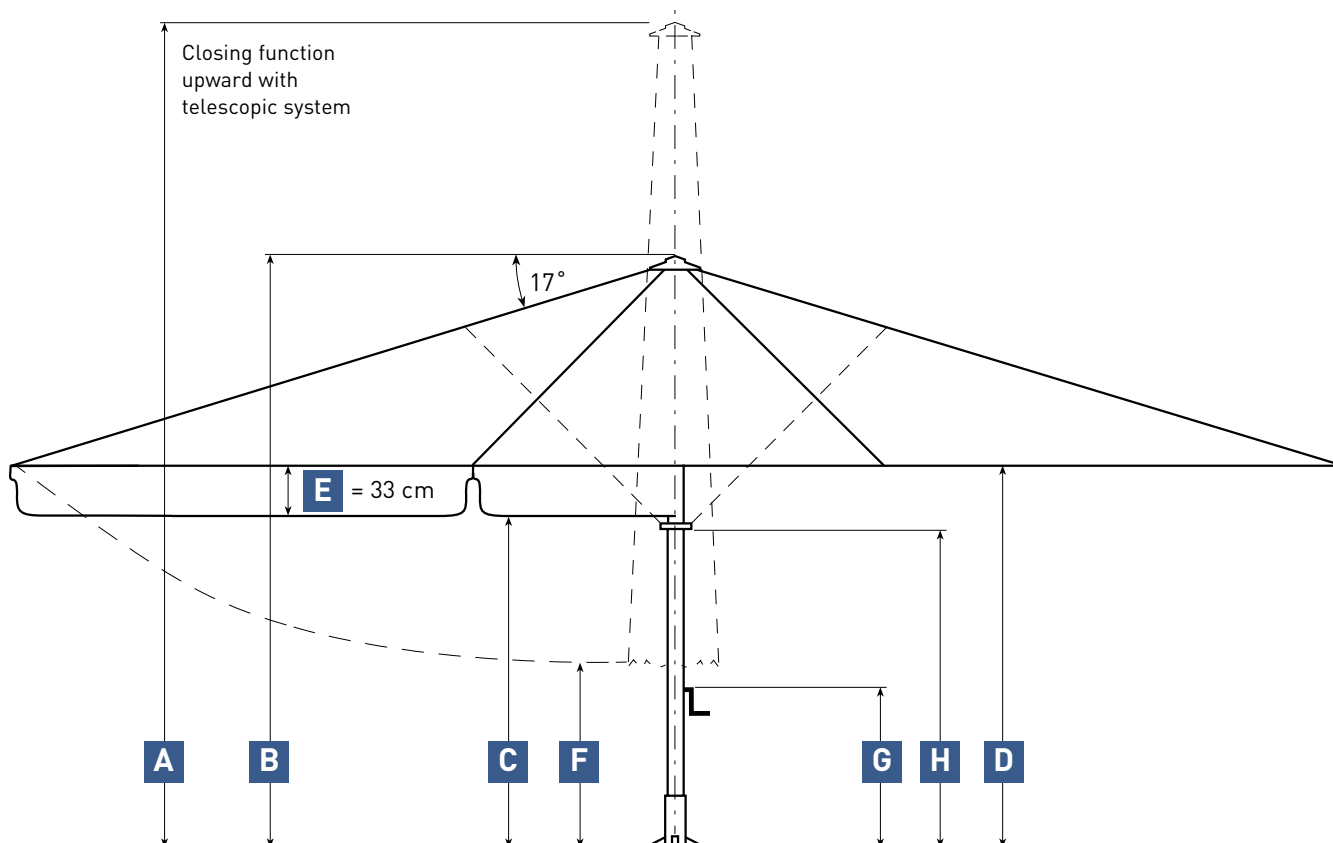
***NEW!**



***NEW!**



ALBATROS square		4.5 x 4.5 m	4.5 x 4.5 m	5.0 x 5.0 m	5.0 x 5.0 m
	Segments	8	12	8	12
	Area m ²	20.3	20.3	25	25
A	Height closed incl. top plate cm	480	480	492	492
B	Height opened incl. top plate cm	319	319	327	327
C	Headroom with valance cm	214	214	214	214
D	Headroom without valance from spoke edge cm	242	242	242	242
F	Ground clearance from spoke edge cm	147	155	125	131
G	Crank height cm	92	92	92	92
H	Height lower disc flange cm	242	242	242	242
	Extended steel reinforcement	integrated	integrated	integrated	integrated
	Weight without packaging MayTex-Acryl without valance kg	82	97	93	108
	Support pole diameter mm				
	Packaging cardboard sleeve Ø 45 cm	length 500 cm weight 36 kg	length 500 cm weight 36 kg	length 510 cm weight 36 kg	length 510 cm weight 36 kg
	Installation base length/width/min. depth	75/75/60	80/80/60	80/80/60	85/85/60
	Minimum-ballast Number of layers of concrete slabs XZ49 required	9 x = approx. 1,008 kg	10 x = approx. 1,120 kg	10 x = approx. 1,120 kg	11 x = approx. 1,232 kg





***NEW!**

ALBATROS 5.5 x 5.5 m, 8 Segments
MayTex-Acryl SA 314 325 ecru
without valance



straight valance



continuous valance

ALBATROS



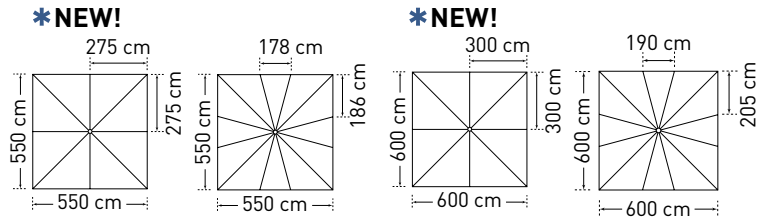
ALBATROS 6.0 x 6.0 m, 12 Segments
MayTex-Acryl DA 7244 lime green
without valance



straight valance



continuous valance



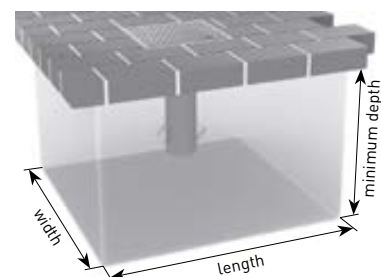
ALBATROS square		5.5 x 5.5 m	5.5 x 5.5 m	6.0 x 6.0 m	6.0 x 6.0 m
Segments		8	12	8	12
Area		m ² 30.3	30.3	36	36
A	Height closed incl. top plate	cm 456	507	514	535
B	Height opened incl. top plate	cm 334	334	342	345
C	Headroom with valance	cm 214	214	214	217
D	Headroom without valance from spoke edge	cm 242	242	242	245
F	Ground clearance from spoke edge	cm 51	110	75	95
G	Crank height	cm 92	92	92	92
H	Height lower disc flange	cm 242	242	242	200
Extended steel reinforcement		integrated	integrated	integrated	optional
Weight without packaging MayTex-Acryl without valance		kg 97	116	105	113
Support pole diameter		mm outer-Ø 100, pole thickness 5			
Packaging cardboard sleeve Ø 45 cm		length 500 cm weight 36 kg	length 530 cm weight 36 kg	length 530 cm weight 36 kg	length 560 cm weight 41 kg
Installation base length/width/min. depth		cm 80/80/60	85/85/60	80/80/60	85/85/60
Minimum-ballast Number of layers of concrete slabs XZ49 required		10 x = approx. 1,120 kg	11 x = approx. 1,232 kg	10 x = approx. 1,120 kg	10 x = approx. 1,120 kg

¹⁾ When concrete slabs are used as ballast, the parasol cannot be fully closed because of the length of the spokes. In this case the length of the mast can be extended by 20 cm at an extra charge (see pricelist Accessories and Bases). Note that the height dimensions then have to be increased by 20 cm.

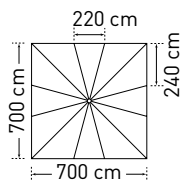
The heights specified are for parasols with MayTex-Acryl covering fabric that are mounted in an anchor tube AZ120. The increase in height for parasols with other installation bases can be seen in the list below:

Full frame pedestal:	AZ111	+	1.5 cm
Full frame pedestal:	AZ112	+	2 / 6 cm
Full frame pedestal:	AZ116	+	10 / 14 cm
Anchor plate:	AZ024	+	1.5 cm
Base plate:	AZ246	+	3 cm
Base plate:	AZ247	+	4.5 cm
Base plate:	AZ248	+	6 cm
Base plate:	AZ249	+	7.5 cm
Concrete parasol base:	AZ361 / AZ371	+	48.5 cm

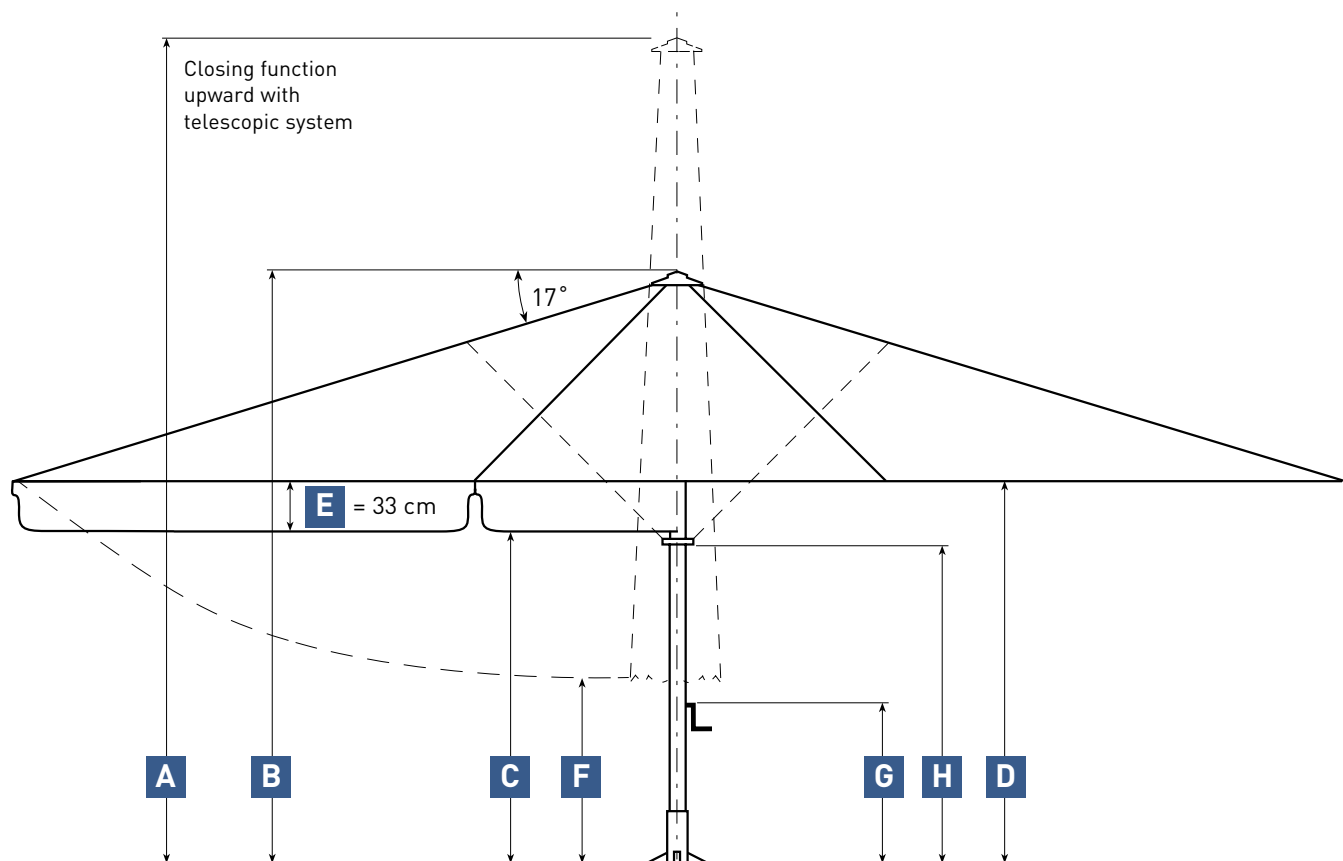
3D view of installation base with top plate for winter protection. Base must be frost-proof and enlarged if the ground is unstable.



Intermediate and special sizes on request.
Dimensional tolerance approx. 5%.

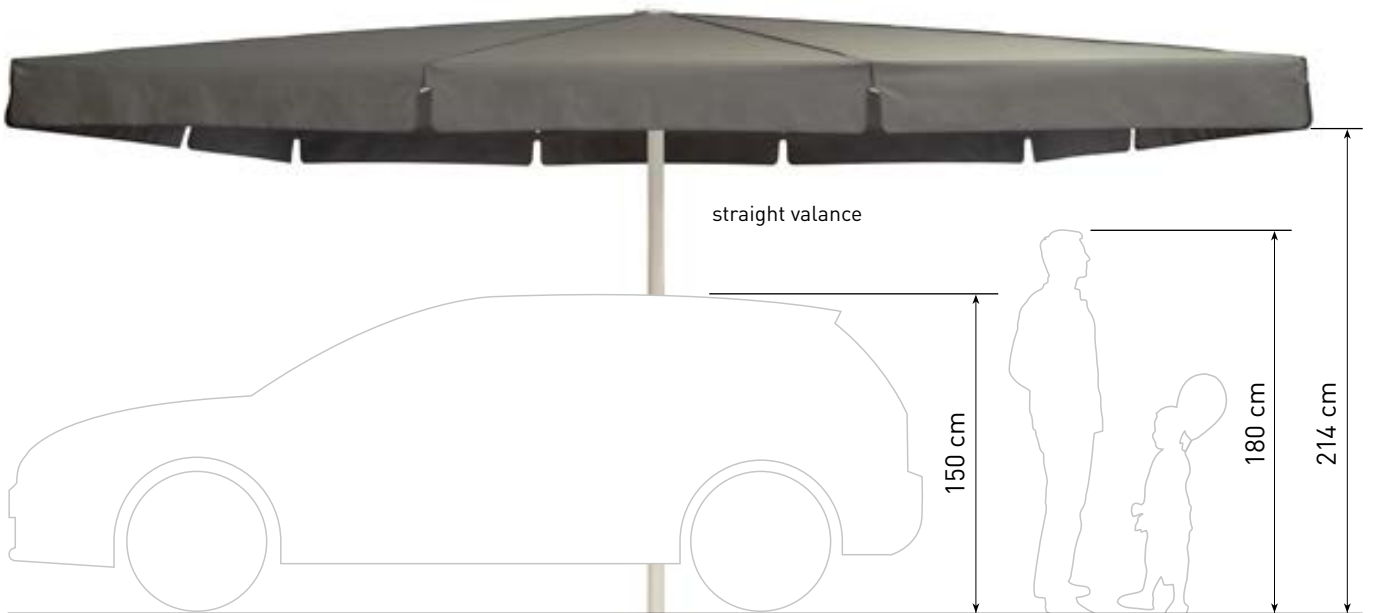


ALBATROS square			7.0 x 7.0 m ¹⁾
	Segments		12
	Area	m ²	49
A	Height closed incl. top plate	cm	570
B	Height opened incl. top plate	cm	375
C	Headroom with valance	cm	217
D	Headroom without valance from spoke edge	cm	245
F	Ground clearance from spoke edge	cm	25
G	Crank height	cm	92
H	Height lower disc flange	cm	235
	Extended steel reinforcement		optional
	Weight without packaging MayTex-Acryl without valance	kg	160
	Support pole diameter	mm	outer-Ø 100, pole thickness 5
	Packaging cardboard sleeve Ø 45 cm		length 560 cm weight 41 kg
	Installation base length/width/min. depth		90/90/60
	Minimum-ballast Number of layers of concrete slabs XZ49 required		11 x = approx. 1,232 kg





ALBATROS 4.0 x 6.0 m
MayTex-Acryl DA 8203 basalt grey
without valance



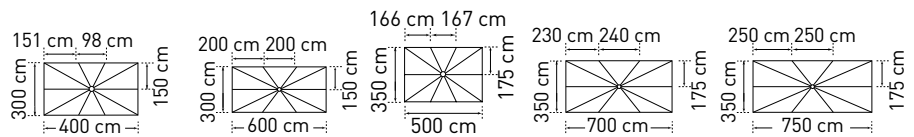
ALBATROS



ALBATROS 7.0 x 8.0 m
MayTex-Acryl SA 314 362 dark green
without valance



straight valance



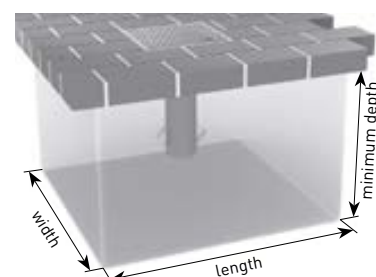
ALBATROS rectangular			3.0 x 4.0 m	3.0 x 6.0 m	3.5 x 5.0 m	3.5 x 7.0 m	3.5 x 7.5 m ¹⁾	
	Segments		10	10	10	10	10	
	Area	m ²	12	18	17.5	24.5	26.3	
A	Height closed incl. top plate	cm	437	483	447	490	453	
B	Height opened incl. top plate	cm	296	305	304	312	303	
C	Headroom with valance	cm	214	214	214	214	214	
D	Headroom without valance from spoke edge	cm	242	242	242	242	242	
F	Ground clearance from spoke edge	cm	182	132	138	83	38	
G	Crank height	cm	92	92	92	92	92	
H	Height lower disc flange	cm	242	198	242	205	242	
	Extended steel reinforcement		integrated	integrated	integrated	integrated	integrated	
	Weight without packaging MayTex-Acryl without valance	kg	82	99	88	104	106	
	Support pole diameter	mm	outer-Ø 100, pole thickness 5					
	Packaging cardboard sleeve Ø 45 cm		length 460 cm weight 32 kg	length 500 cm weight 36 kg	length 480 cm weight 34 kg	length 500 cm weight 36 kg	length 480 cm weight 34 kg	
	Installation base length/width/min. depth	cm	60/60/60	75/75/60	75/75/60	85/85/60	80/80/60	
	Minimum-ballast Number of layers of concrete slabs XZ49 required		6 x = approx. 672 kg	9 x = approx. 1,008 kg	9 x = approx. 1,008 kg	11 x = approx. 1,232 kg	10 x = approx. 1,120 kg	

¹⁾ When concrete slabs are used as ballast, the parasol cannot be fully closed because of the length of the spokes. In this case the length of the mast can be extended by 20 cm at an extra charge (see pricelist Accessories and Bases). Note that the height dimensions then have to be increased by 20 cm.

The heights specified are for parasols with MayTex-Acryl covering fabric that are mounted in an anchor tube AZ120. The increase in height for parasols with other installation bases can be seen in the list below:

Full frame pedestal:	AZ111	+	1.5 cm
Full frame pedestal:	AZ112	+	2 / 6 cm
Full frame pedestal:	AZ116	+	10 / 14 cm
Anchor plate:	AZ024	+	1.5 cm
Base plate:	AZ246	+	3 cm
Base plate:	AZ247	+	4.5 cm
Base plate:	AZ248	+	6 cm
Base plate:	AZ249	+	7.5 cm
Concrete parasol base:	AZ361 / AZ371	+	48.5 cm

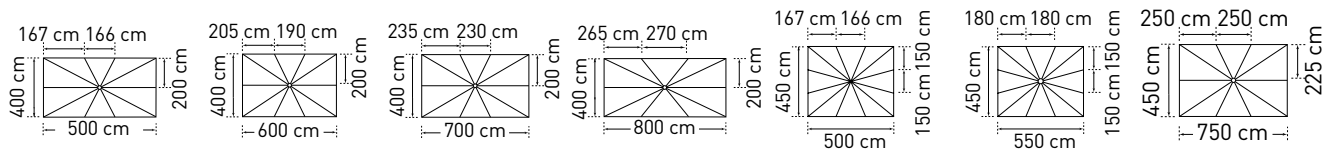
3D view of installation base with top plate for winter protection. Base must be frost-proof and enlarged if the ground is unstable.



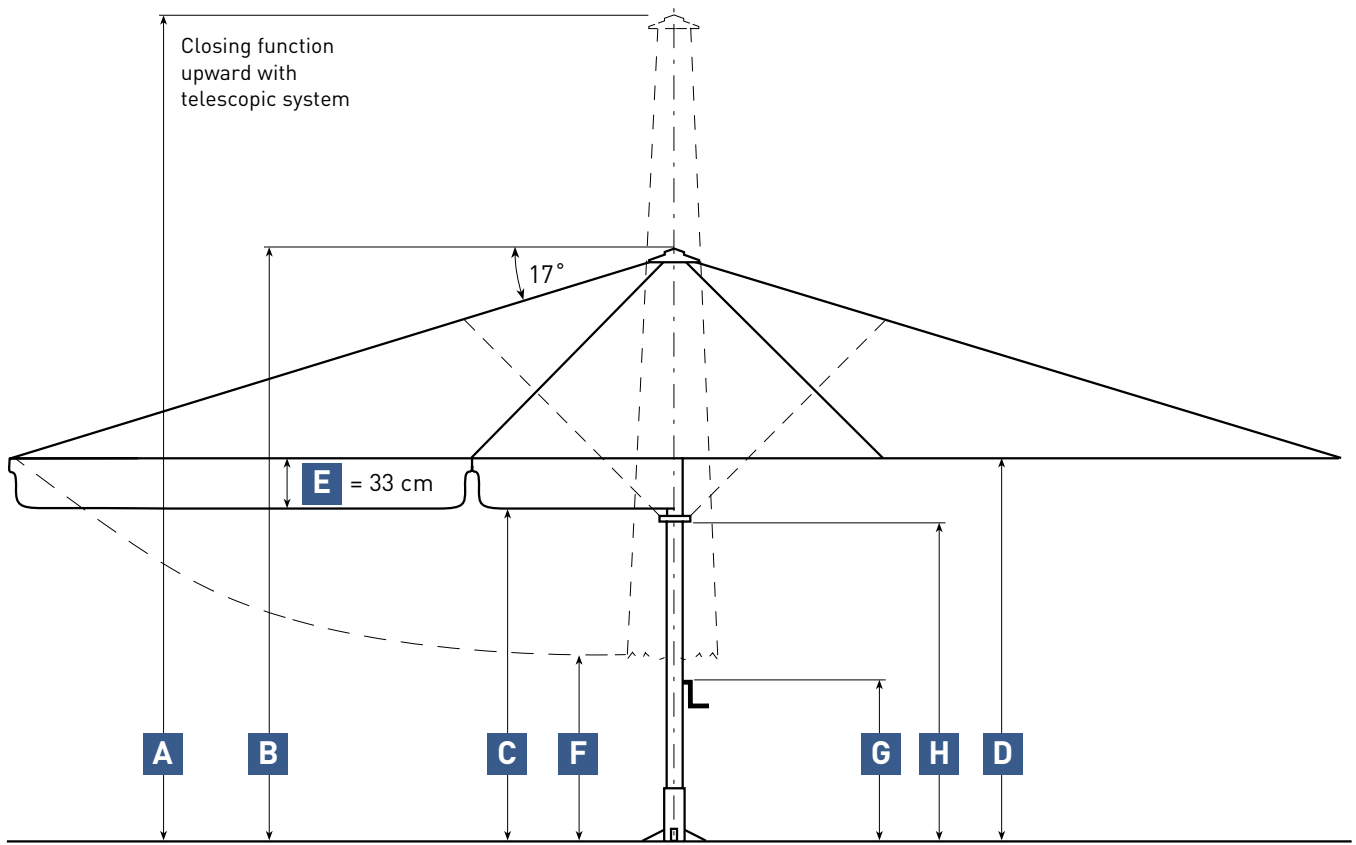
Intermediate and special sizes on request.
Dimensional tolerance approx. 5%.

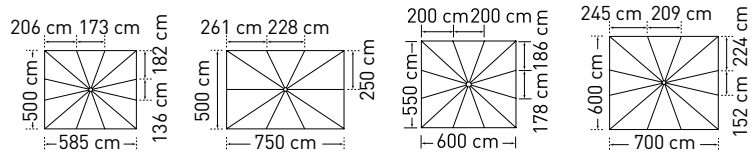
ALBATROS

SIZES AND DATA



	4.0 x 5.0 m	4.0 x 6.0 m	4.0 x 7.0 m ¹⁾	4.0 x 8.0 m	4.5 x 5.0 m	4.5 x 5.5 m	4.5 x 7.5 m
	10	10	10	10	12	12	10
	20	24	28	32	22.5	24.8	33,8
A	463	463	463	523	478	478	477
B	311	312	311	334	319	319	319
C	214	214	214	214	214	214	214
D	242	242	242	242	242	242	242
F	137	106	57	68	136	117	37
G	92	92	92	92	92	92	92
H	242	242	242	193	242	242	242
	integrated	integrated	integrated	optional	integrated	integrated	optional
	100	114	103	129	96	120	118
outer-Ø 100, pole thickness 5							
	length 480 cm weight 34 kg	length 480 cm weight 34 kg	length 480 cm weight 34 kg	length 560 cm weight 41 kg	length 500 cm weight 36 kg	length 500 cm weight 36 kg	length 500 cm weight 36 kg
	65/65/60	80/80/60	80/80/60	80/80/60	80/80/60	85/85/60	80/80/60
	6 x = approx. 672 kg	10 x = approx. 1,120 kg	10 x = approx. 1,120 kg	10 x = approx. 1,120 kg	10 x = approx. 1,120 kg	11 x = approx. 1,232 kg	10 x = approx. 1,120 kg





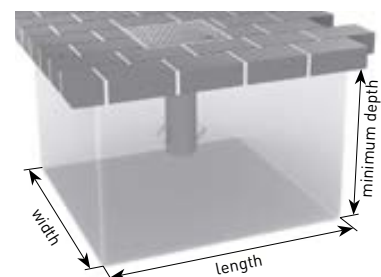
ALBATROS rectangular			5.0 x 5.85 m	5.0 x 7.5 m	5.5 x 6.0 m	6.0 x 7.0 m
	Segments		12	10	12	12
	Area	m ²	29	37.5	33	42
A	Height closed incl. top plate	cm	525	535	507	555
B	Height opened incl. top plate	cm	329	329	334	359
C	Headroom with valance	cm	212	212	214	214
D	Headroom without valance from spoke edge	cm	240	240	242	242
F	Ground clearance from spoke edge	cm	130	72	93	72
G	Crank height	cm	92	92	92	92
H	Height lower disc flange	cm	190	200	242	207
	Extended steel reinforcement		optional	optional	optional	optional
	Weight without packaging MayTex-Acryl without valance	kg	106	129	124	121
	Support pole diameter	mm	outer-Ø 100, pole thickness 5			
	Packaging cardboard sleeve Ø 45 cm		length 560 cm weight 41 kg	length 560 cm weight 41 kg	length 530 cm weight 39 kg	length 560 cm weight 41 kg
	Installation base length/width/min. depth	cm	80/80/60	75/75/60	80/80/60	80/80/60
	Minimum-ballast Number of layers of concrete slabs XZ49 required		10 x = approx. 1,120 kg	9 x = approx. 1,008 kg	10 x = approx. 1,120 kg	10 x = approx. 1,120 kg

¹⁾ When concrete slabs are used as ballast, the parasol cannot be fully closed because of the length of the spokes. In this case the length of the mast can be extended by 20 cm at an extra charge (see pricelist Accessories and Bases). Note that the height dimensions then have to be increased by 20 cm.

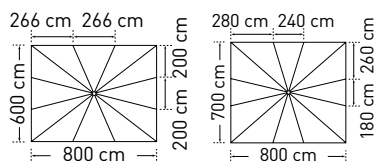
The heights specified are for parasols with MayTex-Acryl covering fabric that are mounted in an anchor tube AZ120. The increase in height for parasols with other installation bases can be seen in the list below:

Full frame pedestal:	AZ111	+	1.5 cm
Full frame pedestal:	AZ112	+	2 / 6 cm
Full frame pedestal:	AZ116	+	10 / 14 cm
Anchor plate:	AZ024	+	1.5 cm
Base plate:	AZ246	+	3 cm
Base plate:	AZ247	+	4.5 cm
Base plate:	AZ248	+	6 cm
Base plate:	AZ249	+	7.5 cm
Concrete parasol base:	AZ361 / AZ371	+	48.5 cm

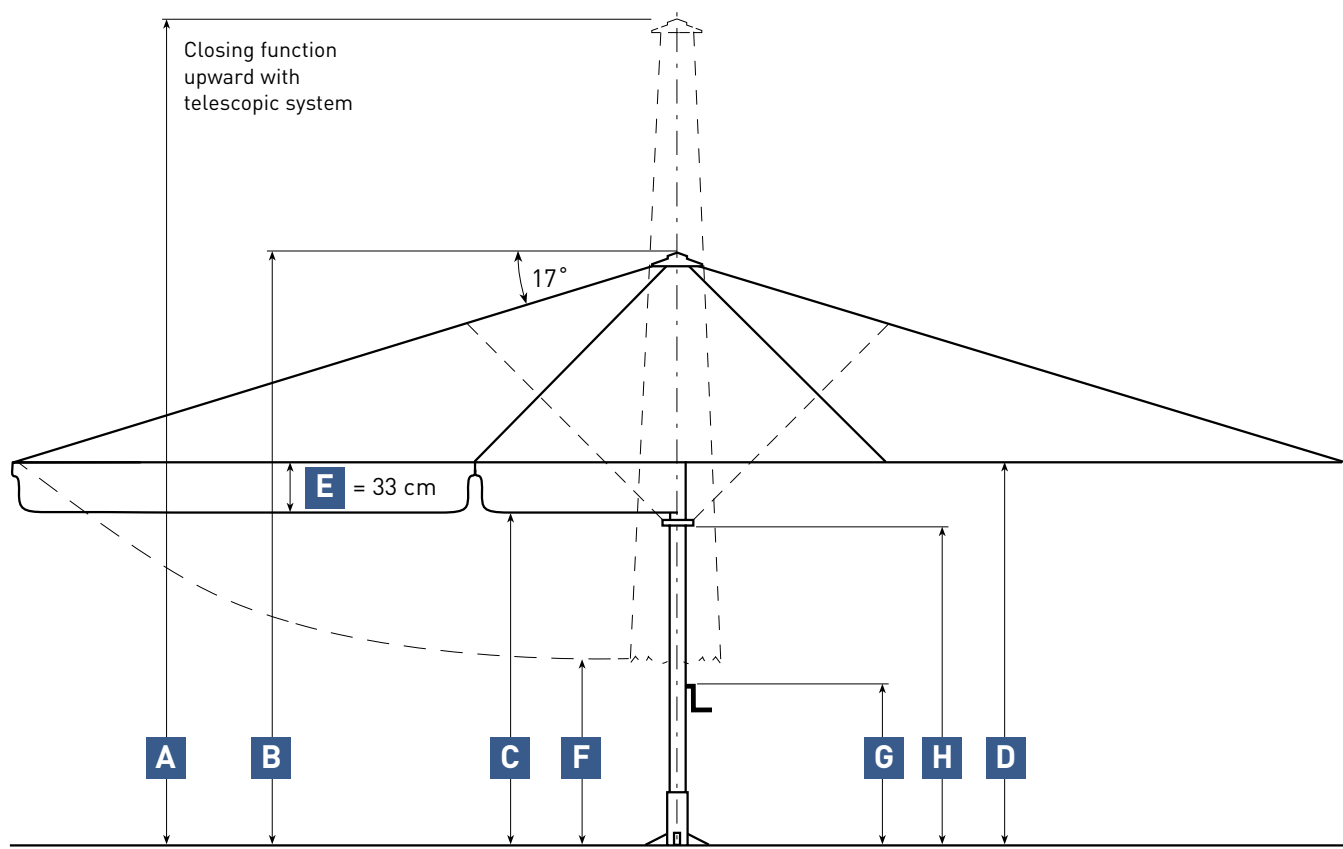
3D view of installation base with top plate for winter protection. Base must be frost-proof and enlarged if the ground is unstable.



Intermediate and special sizes on request.
Dimensional tolerance approx. 5%.



ALBATROS rectangular		6.0 x 8.0 m ¹⁾	7.0 x 8.0 m ¹⁾
	Segments	12	12
	Area	m ² 48	56
A	Height closed incl. top plate	cm 527	570
B	Height opened incl. top plate	cm 342	375
C	Headroom with valance	cm 214	217
D	Headroom without valance from spoke edge	cm 242	245
F	Ground clearance from spoke edge	cm 14	25
G	Crank height	cm 92	92
H	Height lower disc flange	cm 242	235
	Extended steel reinforcement	optional	optional
	Weight without packaging MayTex-Acryl without valance	kg 161	160
	Support pole diameter	mm outer-Ø 100, pole thickness 5	
	Packaging cardboard sleeve Ø 45 cm	length 560 cm weight 41 kg	length 560 cm weight 41 kg
	Installation base length/width/min. depth	cm 80/80/60	105/105/60
	Minimum-ballast Number of layers of concrete slabs XZ49 required	10 x = approx. 1,120 kg	16 x = approx. 1,792 kg





ALBATROS 5.0 x 5.0 m
MAY-*Tex* Acryl DA 8779 olive brown
Special colour of frame RAL 9005



Seawater-resistant stainless steel connections

To allow the use of the ALBATROS directly at the coast nearby salty sea water, rustproof materials must be used. With this package all turned and standard parts are supplied in stainless steel V4A (1.4401, AISI 316). Optimal protection for minimal oxidation of the aluminium frame.

art. no. **350139**



Hexagonal fitting

for speedy opening and closing of parasol with battery-powered drill.

art. no. **200112**



ALBATROS 7.0 x 8.0 m
MayTex-Acryl SA 314 033 ivory

Protective sleeve, version zipper

with zipper and rope, without telescopic pole, art. no. 356041; made of tarp material, colour grey. May also be used for parasols with heaters, if they are demounted (winter storage). Please specify parasol size or serial number.

art. no. **AA122**



Protective sleeve, version zipper for parasols with integrated heaters

with zipper and rope, without telescopic pole, art. no. 356041; made of tarp material, colour grey. For daily protection of your parasols with mounted heaters. Please specify parasol size or serial number.

art. no. **AA124**



*NEW!

Telescopic pole

maximum length 4.5 m, without ring. For retrofit of all protective sleeves with zipper. No ladder required for pulling on the protective sleeve. One piece per terrace needed.

art. no. **356041**





ALBATROS 5.0 x 5.0 m, MayTex-Acryl SA 314 030 light grey
with rain gutter XA141, MayTex-Poly M9653 grey



Rain gutter

in MayTex-Poly and MayTex-PVC, with aluminium rods for stabilization.
Can only be used with valance.

art. no. **XA141**



**Glass-fibre reinforced plastic holder
for side sheet and rain gutter**

1 piece per spoke required.

with 1 eyelet screw

with 2 eyelet screws

art. no. **AA141 01**

art. no. **AA141 02**



ALBATROS 5.0 x 5.0 m, MayTex-Acryl SA 314 030 light grey
with suspended rain gutter, MayTex-Poly M9653 grey

Holder for suspended rain gutter

made from aluminium and stainless steel,
1 piece per spoke required.

with 1 eyelet screw and
1 stainless steel angle, left

art. no. **AA150**

with 1 eyelet screw and
1 stainless steel angle, right

art. no. **AA151**

with 2 eyelet screw and
2 stainless steel angles

art. no. **AA152**



Length extension of centre pole

State required additional length in cm (max. 70 cm).

Shortening of centre pole

Length on request, dependent on parasol size.

Frame paint finish

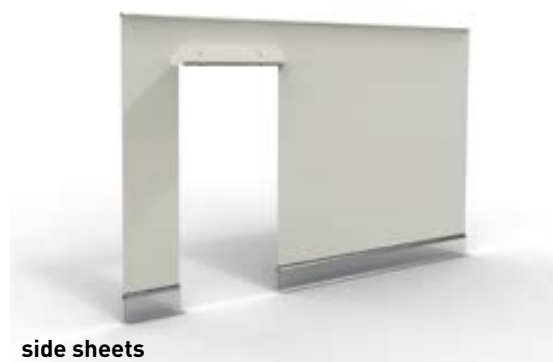
Please state colour of powder-coating in RAL.

Canopy covering MayTex-PVC

approx. 480 g/m² ± 5%.

Side sheets

Textile in MayTex-Poly, see page 192 onwards.



side sheets



ALBATROS 5.0 x 5.0 m
MAY-TEX Acryl DA 7560 light yellow

PLAY- SCHOOL PARASOL



Brochure download at:
www.may-online.com/en/catalogue-download



Impact protection for parasol mast Ø 100 mm

Make sure that the children's playing area is safe. Without safety precautions, carefree romping around may lead to tears. The soft material protects from painful bumps up to a height of 90 cm. If correctly mounted, our protective padding also covers the anchor tube. The vertical connection is fully fastened by hook-and-loop fastener. Therefore, the impact protection is optimally adapted to the parasol mast and so helps to minimize hard edges and corners that may lead to abrasions. Made from MayTex-PVC, available in all PVC colours of our cloth collection.

art. no. **350269**



ALBATROS 5.0 x 5.58 m
MayTex-Acryl SA 314 001 cherry
Frame finish RAL 7016

Lubricant LubriMay 13

for threaded spindle, content: 100 g.

art. no. **350652**



CleanoMay 13

This highly efficient cleaning concentrate removes grease, oil, coal, rust as well as other stubborn stains on your parasol canopy covering or frame. It can also serve to clean machines, kitchens (recognised as safe for foodstuffs by the Fresenius Institute), barbeque grills, tarpaulins and plastics. Moreover, CleanoMay 13 is non-toxic, biodegradable, non-flammable and non-corroding. 1 litre concentrate yields 26 litres liquid cleanser.

art. no. **350848**



Substitute canopy covering

An occasional change of canopy covering can give your patio a completely new flair.



TUBULAR

MOTOR

You will find our product video at:
may.ag/e_en

Tubular motor

fully integrated in parasol mast, invisible; start-up via Plug and Play, open and close by pressing function key of radio transmitter for 3 seconds (for avoidance of unintentional switching), range of radio transmitter to parasol mast approx. 25 m; Control exclusively via radio. No wired control (fixed wiring) possible; incl. hand crank for use in case of power cut, incl. plug connector of ground cable to motor cable. The motor can only be used with anchor tubes AZ024, AZ120, AZ128, AZ186, AZ194, AZ256, AZ257, AZ258, AZ259 or AZ210. Compatible with LED-lighting, not compatible with heaters or loudspeakers; Power: 230 V-/50 Hz.

art. no. **202112**



Single-channel hand-held radio transmitter

single-channel device sufficient if only one parasol is to be controlled. Simultaneous control of one or any number of parasols possible (2 signals).

art. no. **202105**



Holder for radio transmitter

suitable for single-channel hand-held radio transmitter 202105. To be screwed to the wall.

art. no. **202115**



202105 + 202115

18-channel hand-held radio transmitter

for the control of several parasols; can be used to control solitary as well as grouped parasols, programming possible in our company after prior date arrangement. 18-channel device. For separate control of up to 18 parasols (36 signals).

art. no. **202106**





ALBATROS 4.5 x 4.5 m
MayTex-Acryl SA 314 362 dark green

Holder for radio transmitter

suitable for 18-channel hand-held radio transmitter 202106.
To be screwed to the wall.

art. no. **202116**



202106 + 202116

Wall-mounted radio transmitter

radio transmitter for permanent screw-on installation. The transmitter must have direct visual contact with the radio receiver. Sufficient for the control of one parasol. Simultaneous control of one or any number of parasols possible (2 signals).

art. no. **202104**



Radio transmitting station

2-channel radio transmitter to open and close tubular motors by a home automation system. Direct visual contact to the radio transmitter required. Controls 1 or 2 parasols or 1 up to 2 groups of parasols. 4 signals; unidirectional and sequential. Simple integration by potential-free switching contacts (> 3 sec). Can be combined with an 18-channel radio transmitter for single or group control. Input 12 V - 24 V DC or 230 V~ / 50 Hz.

art. no. **202108**



Wind sensor

only to be used as a supportive measure. In case of rising wind, the operator of the business must see that the parasols are closed and secured with a strap. The wind sensor measures the speed of the wind and passes on a signal to the tubular motor, which then automatically closes the parasols. The wind threshold value can be programmed with an adjustable potentiometer. Solar-cell and radio transmission, no cabling needed. To be fastened in a suitable position with the two dowels supplied in the package. The location should be as exposed as possible and in the vicinity of the parasols. Direct visual contact with the radio receiver necessary.

art. no. **202110**



Below you will find a list of our range of all-in kits on offer.

Choose a parasol and one of the kits listed. From page 178 onwards you will find more information on the individual kit components. The kits can, however, only be applied in combination with installation options AZ024, AZ120, AZ128, AZ186, AZ194, AZ256, AZ257, AZ258, AZ259 and AZ210. We recommend 4 lights and 4 heaters for parasols with an area of up to 30 m². It is not possible to combine heaters and a motor.

Slim lights warm white



Kit A 4 art. no. 350957

230 V connection. Kit consists of:	quantity	art. no.
W-MAY 3-pole plug connector	1	352422
Power supply within centre pole	1	354522
Electrical harness	1	350932
Slim light warm white 13 W	4	202090

Kit A 6 art. no. 350958

230 V connection. Kit consists of:	quantity	art. no.
W-MAY 3-pole plug connector	1	352422
Power supply within centre pole	1	354522
Electrical harness	1	350932
Slim light warm white 13 W	6	202090

Kit A 8 art. no. 350959

230 V connection. Kit consists of:	quantity	art. no.
W-MAY 3-pole plug connector	1	352422
Power supply within centre pole	1	354522
Electrical harness	1	350932
Slim light warm white 13 W	8	202090

Kit A 10 art. no. 350960

230 V connection. Kit consists of:	quantity	art. no.
W-MAY 3-pole plug connector	1	352422
Power supply within centre pole	1	354522
Electrical harness	1	350932
Slim light warm white 13 W	10	202090

Kit A 12 art. no. 350961

230 V connection. Kit consists of:	quantity	art. no.
W-MAY 3-pole plug connector	1	352422
Power supply within centre pole	1	354522
Electrical harness	1	350932
Slim light warm white 13 W	12	202090

LED lighting warm white

To dim the LED bar warm white by smart phone or radio transmitter, order the Bluetooth remote dimmer art. no. 352888 and the Bluetooth remote control sender art. no. 352890 see page 186, if applicable.



Kit A 4LED art. no. 350962

	quantity	art. no.
230 V connection. Kit consists of:		
W-MAY 3-pole plug connector	1	352422
Power supply within centre pole	1	354522
Electrical harness	1	350932
Power supply unit (PSU) for max. 6 LED bars, integrated in parasol	1	351920
LED bar, warm white, without spot optics	4	352187

Kit A 6LED art. no. 350989

	quantity	art. no.
230 V connection. Kit consists of:		
W-MAY 3-pole plug connector	1	352422
Power supply within centre pole	1	354522
Electrical harness	1	350932
Power supply unit (PSU) for max. 6 LED bars, integrated in parasol	1	351920
LED bar, warm white, without spot optics	6	352187

Kit A 8LED art. no. 350964

	quantity	art. no.
12 V connection. Kit consists of:		
W-MAY 3-pole plug connector	1	352422
Power supply within centre pole	1	354520
Electrical harness	1	350932
Power supply unit (PSU) for max. 20 LED bars, installed on the outdoor wall or inside the house	1	350271
LED bar, warm white, without spot optics	8	352187

Kit A 10LED art. no. 350965

	quantity	art. no.
12 V connection. Kit consists of:		
W-MAY 3-pole plug connector	1	352422
Power supply within centre pole	1	354520
Electrical harness	1	350932
Power supply unit (PSU) for max. 20 LED bars, installed on the outdoor wall or inside the house	1	350271
LED bar, warm white, without spot optics	10	352187

Kit A 12LED art. no. 350966

	quantity	art. no.
12 V connection. Kit consists of:		
W-MAY 3-pole plug connector	1	352422
Power supply within centre pole	1	354520
Electrical harness	1	350932
Power supply unit (PSU) for max. 20 LED bars, installed on the outdoor wall or inside the house	1	350271
LED bar, warm white, without spot optics	12	352187

LED lighting RGB-ww (colours & warmwhite)

LED-bar RGB-ww
(colours and warmwhite):
Information on colour control and
dimming by smartphone or
Bluetooth remote control sender
art. no. 352890, see page 186.



Kit A 4RGB art. no. 352974

	quantity	art. no.
230 V connection. Kit consists of:		
W-MAY 3-pole plug connector	1	352422
Power supply within centre pole	1	354522
Electrical harness	1	350932
Power supply unit (PSU) for max. 6 LED bars, integrated in parasol	1	351920
Bluetooth remote dimmer v16-9	1	352888
LED-bar RGB-ww (colours and warmwhite)	4	353925

Kit A 6RGB art. no. 352975

	quantity	art. no.
230 V connection. Kit consists of:		
W-MAY 3-pole plug connector	1	352422
Power supply within centre pole	1	354522
Electrical harness	1	350932
Power supply unit (PSU) for max. 6 LED bars, integrated in parasol	1	351920
Bluetooth remote dimmer v16-9	1	352888
LED-bar RGB-ww (colours and warmwhite)	6	353925

Kit A 8RGB art. no. 352976

	quantity	art. no.
12 V connection. Kit consists of:		
W-MAY 3-pole plug connector	1	352422
Power supply within centre pole	1	354522
Electrical harness	1	350932
Power supply unit (PSU) for max. 20 LED bars, installed on the outdoor wall or inside the house	1	350271
Bluetooth remote dimmer v16-9	1	352888
LED-bar RGB-ww (colours and warmwhite)	8	353925

Kit A 10RGB art. no. 352977

	quantity	art. no.
12 V connection. Kit consists of:		
W-MAY 3-pole plug connector	1	352422
Power supply within centre pole	1	354520
Electrical harness	1	350932
Power supply unit (PSU) for max. 20 LED bars, installed on the outdoor wall or inside the house	1	350271
Bluetooth remote dimmer v16-9	1	352888
LED-bar RGB-ww (colours and warmwhite)	10	353925

Kit A 12RGB art. no. 352978

	quantity	art. no.
12 V connection. Kit consists of:		
W-MAY 3-pole plug connector	1	352422
Power supply within centre pole	1	354520
Electrical harness	1	350932
Power supply unit (PSU) for max. 20 LED bars, installed on the outdoor wall or inside the house	1	350271
Bluetooth remote dimmer v16-9	1	352888
LED-bar RGB-ww (colours and warmwhite)	12	353925

Infrared heaters

In standard cases these kits are firmly connected with the underground cable.

Alternatively, plug connector art. no. 200581 can be used.



Kit A 0 4A art. no. 351494

400 V connection. Kit consists of:	quantity	art. no.
Power supply within centre pole	1	354526
Electrical harness	1	200566
Automatic auxiliary cut out switch	1	202051
Cabling, long (only possible along diagonal spokes)	4	200579
Swivelling holder	4	200577
Infrared heater (RAL 9010 or 9006)	4	200430

For parasol sizes Ø 4 m, Ø 4.5 m, Ø 5 m, Ø 5.5 m Ø 6 m, Ø 7 m, 3.5 x 3.5 m, 3 x 6 m, 3.5 x 7 m with valance, 4 x 8 m with valance and 5 x 5.85 m with valance, please opt for Kit A 0 4Z.

Cannot be used for parasol size 8 Segments: 3 x 3 m 3.5 x 3.5 m 4 x 4 m 4.5 x 4.5 m

Kit A 0 4Z art. no. 351495

400 V connection. Kit consists of:	quantity	art. no.
Power supply within centre pole	1	354526
Electrical harness	1	200566
Automatic auxiliary cut out switch	1	202051
Cabling, short (please state position intended)	4	200585
Swift-fold spar	4	200578
Infrared heater (RAL 9010 or 9006)	4	200430

For parasol size 4,5 x 5,5 m, please opt for Kit A 0 4A.

Cannot be used for parasol size 8 Segments: 3 x 3 m 3.5 x 3.5 m 4 x 4 m 4.5 x 4.5 m

Infrared heaters + slim lights warm white

In standard cases these kits are firmly connected with the underground cable.
Alternatively, plug connector art. no. 200581 can be used.



Kit A 6 4A art. no. 202066

400 V connection. Kit consists of:	quantity	art. no.
Power supply within centre pole	1	354526
Electrical harness	1	200566
Automatic auxiliary cut out switch	1	202051
Cabling, long (only possible along diagonal spokes)	4	200579
Swivelling holder	4	200577
Infrared heater (RAL 9010 or 9006)	4	200430
Slim light warm white 13 W	6	202090

For parasol sizes Ø 4 m, Ø 4.5 m, Ø 5 m, Ø 5.5 m, Ø 6 m, Ø 7 m, 3.5 x 3.5 m, 3 x 4 m, 3 x 6 m, 3.5 x 7 m with valance, 4 x 8 m with valance and 5 x 5.85 m with valance please opt for Kit A 6LED 4Z.

Kit A 8 4A art. no. 350984

400 V connection. Kit consists of:	quantity	art. no.
Power supply within centre pole	1	354526
Electrical harness	1	200566
Automatic auxiliary cut out switch	1	202051
Cabling, long (only possible along diagonal spokes)	4	200579
Swivelling holder	4	200577
Infrared heater (RAL 9010 or 9006)	4	200430
Slim light warm white 13 W	8	202090

For parasol sizes Ø 4 m, Ø 4.5 m, Ø 5 m, Ø 5.5 m, Ø 6 m, Ø 7 m, 3.5 x 3.5 m, 3 x 4 m, 3 x 6 m, 3.5 x 7 m with valance, 4 x 8 m with valance and 5 x 5.85 m with valance please opt for Kit A 8LED 4Z.

Kit A 6 4Z art. no. 350061

400 V connection. Kit consists of:	quantity	art. no.
Power supply within centre pole	1	354526
Electrical harness	1	200566
Automatic auxiliary cut out switch	1	202051
Cabling, short (please state position intended)	4	200585
Swift-fold spar	4	200578
Infrared heater (RAL 9010 or 9006)	4	200430
Slim light warm white 13 W	6	202090

For parasol size 4,5 x 5,5 m, please opt for Kit A 6 4A.

Kit A 8 4Z art. no. 350985

400 V connection. Kit consists of:	quantity	art. no.
Power supply within centre pole	1	354526
Electrical harness	1	200566
Automatic auxiliary cut out switch	1	202051
Cabling, short (please state position intended)	4	200585
Swift-fold spar	4	200578
Infrared heater (RAL 9010 or 9006)	4	200430
Slim light warm white 13 W	8	202090

For parasol size 4,5 x 5,5 m, please opt for Kit A 8 4A.

Infrared heaters + LED lighting warm white

In standard cases these kits are firmly connected with the underground cable.

Alternatively, plug connector art. no. 200581 (400 V) can be used together with H1-plug connector art. no. 350931 (12V).

To dim the LED bar warm white by smart phone or radio transmitter, order the Bluetooth remote dimmer art. no. 352888 and the Bluetooth remote control sender art. no. 352890 see page 186, if applicable.



Kit A 4LED 4A art. no. 355154

400 V connection. Kit consists of:	quantity	art. no.
Power supply within centre pole	1	354526
Electrical harness	1	200566
Automatic auxiliary cut out switch	1	202051
Cabling, long (only possible along diagonal spokes)	4	200579
Swivelling holder	4	200577
Infrared heater (RAL 9010 or 9006)	4	200430
Power supply unit (PSU) for max. 6 LED bars, integrated in parasol	1	351920
LED bar, warm white, without spot optics	4	352187

For parasol sizes Ø 4 m, Ø 4.5 m, Ø 5 m, Ø 5.5 m, Ø 6 m, Ø 7 m, 3.5 x 3.5 m, 3 x 4 m, 3 x 6 m, 3.5 x 7 m with valance, 4 x 8 m with valance and 5 x 5.85 m with valance, please opt for Kit A 6LED 4Z.

Kit A 6LED 4A art. no. 350990

400 V connection. Kit consists of:	quantity	art. no.
Power supply within centre pole	1	354526
Electrical harness	1	200566
Automatic auxiliary cut out switch	1	202051
Cabling, long (only possible along diagonal spokes)	4	200579
Swivelling holder	4	200577
Infrared heater (RAL 9010 or 9006)	4	200430
Power supply unit (PSU) for max. 6 LED bars, integrated in parasol	1	351920
LED bar, warm white, without spot optics	6	352187

For parasol sizes Ø 4 m, Ø 4.5 m, Ø 5 m, Ø 5.5 m, Ø 6 m, Ø 7 m, 3.5 x 3.5 m, 3 x 4 m, 3 x 6 m, 3.5 x 7 m with valance, 4 x 8 m with valance and 5 x 5.85 m with valance, please opt for Kit A 6LED 4Z.

Kit A 8LED 4A art. no. 350980

12 V + 400 V connection. Kit consists of:	quantity	art. no.
Power supply within centre pole	1	354526
Electrical harness	1	200566
Automatic auxiliary cut out switch	1	202051
Cabling, long (only possible along diagonal spokes)	4	200579
Swivelling holder	4	200577
Infrared heater (RAL 9010 or 9006)	4	200430
Power supply unit (PSU) for max. 20 LED bars, installed on the outdoor wall or inside the house	1	350271
LED bar, warm white, without spot optics	8	352187

For parasol sizes Ø 4 m, Ø 4.5 m, Ø 5 m, Ø 5.5 m, Ø 6 m, Ø 7 m, 3.5 x 3.5 m, 3 x 4 m, 3 x 6 m, 3.5 x 7 m with valance, 4 x 8 m with valance and 5 x 5.85 m with valance please opt for Kit A 8LED 4Z.

Kit A 6LED 4Z art. no. 355155

400 V connection. Kit consists of:	quantity	art. no.
Power supply within centre pole	1	354526
Electrical harness	1	200566
Automatic auxiliary cut out switch	1	202051
Cabling, short (please state position intended)	4	200585
Swift-fold spar	4	200578
Infrared heater (RAL 9010 or 9006)	4	200430
Power supply unit (PSU) for max. 6 LED bars, integrated in parasol	1	351920
LED bar, warm white, without spot optics	4	352187

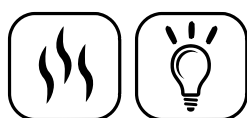
For parasol size 4,5 x 5,5 m, please opt for Kit A 4LED 4A.

Infrared heaters + LED lighting warm white

In standard cases these kits are firmly connected with the underground cable.

Alternatively, plug connector art. no. 200581 (400 V) can be used together with H1-plug connector art. no. 350931 (12V).

To dim the LED bar warm white by smart phone or radio transmitter, order the Bluetooth remote dimmer art. no. 352888 and the Bluetooth remote control sender art. no. 352890 see page 186, if applicable.



Infrared heaters + LED lighting RGB-ww (colours & warmwhite)

In standard cases these kits are firmly connected with the underground cable.

Alternatively, plug connector art. no. 200581 (400 V) can be used together with H1-plug connector art. no. 350931 (12 V).

LED-bar RGB-ww (colours and warmwhite):
Information on colour control and dimming by smartphone or Bluetooth remote control sender art. no. 352890, see page 186.



Kit A 6LED 4Z art. no. 350991

	quantity	art. no.
400 V connection. Kit consists of:		
Power supply within centre pole	1	354526
Electrical harness	1	200566
Automatic auxiliary cut out switch	1	202051
Cabling, short (please state position intended)	4	200585
Swift-fold spar	4	200578
Infrared heater (RAL 9010 or 9006)	4	200430
Power supply unit (PSU) for max. 6 LED bars, integrated in parasol	1	351920
LED bar, warm white, without spot optics	6	352187

For parasol size 4,5 x 5,5 m, please opt for Kit A 6LED 4A.

Kit A 8LED 4Z art. no. 350981

	quantity	art. no.
12 V + 400 V connection. Kit consists of:		
Power supply within centre pole	1	200369
Electrical harness	1	200566
Automatic auxiliary cut out switch	1	202051
Cabling, short (please state position intended)	4	200585
Swift-fold spar	4	200578
Infrared heater (RAL 9010 or 9006)	4	200408
Power supply unit (PSU) for max. 20 LED bars, installed on the outdoor wall or inside the house	1	350271
LED bar, warm white, without spot optics	8	352187

For parasol size 4,5 x 5,5 m, please opt for Kit A 8LED 4A.

Kit A 4RGB 4A art. no. 355156

	quantity	art. no.
400 V connection. Kit consists of:		
Power supply within centre pole	1	354526
Electrical harness	1	200566
Automatic auxiliary cut out switch	1	202051
Cabling, long (only possible along diagonal spokes)	4	200579
Swivelling holder	4	200577
Infrared heater (RAL 9010 or 9006)	4	200430
Power supply unit (PSU) for max. 6 LED bars, integrated in parasol	1	351920
Bluetooth remote dimmer v16-9	1	352888
LED-bar RGB-ww (colours and warmwhite)	4	353925

For parasol sizes Ø 4 m, Ø 4.5 m, Ø 5 m, Ø 5.5 m, Ø 6 m, Ø 7 m, 3.5 x 3.5 m, 3 x 4 m, 3 x 6 m, 3.5 x 7 m with valance, 4 x 8 m with valance and 5 x 5.85 m with valance, please opt for Kit A 6RGB 4Z.

Kit A 6RGB 4A art. no. 352990

	quantity	art. no.
400 V connection. Kit consists of:		
Power supply within centre pole	1	354526
Electrical harness	1	200566
Automatic auxiliary cut out switch	1	202051
Cabling, long (only possible along diagonal spokes)	4	200579
Swivelling holder	4	200577
Infrared heater (RAL 9010 or 9006)	4	200430
Power supply unit (PSU) for max. 6 LED bars, integrated in parasol	1	351920
Bluetooth remote dimmer v16-9	1	352888
LED-bar RGB-ww (colours and warmwhite)	6	353925

For parasol sizes Ø 4 m, Ø 4.5 m, Ø 5 m, Ø 5.5 m, Ø 6 m, Ø 7 m, 3.5 x 3.5 m, 3 x 4 m, 3 x 6 m, 3.5 x 7 m with valance, 4 x 8 m with valance and 5 x 5.85 m with valance, please opt for Kit A 6RGB 4Z.

Kit A 8RGB 4A art. no. 352993

12 V + 400 V connection. Kit consists of:	quantity	art. no.
Power supply within centre pole	1	354527
Electrical harness	1	200566
Automatic auxiliary cut out switch	1	202051
Cabling, long (only possible along diagonal spokes)	4	200579
Swivelling holder	4	200577
Infrared heater (RAL 9010 or 9006)	4	200430
Power supply unit (PSU) for max. 20 LED bars, installed on the outdoor wall or inside the house	1	350271
Bluetooth remote dimmer v16-9	1	352888
LED-bar RGB-ww (colours and warmwhite)	8	353925

For parasol sizes Ø 4 m, Ø 4.5 m, Ø 5 m, Ø 5.5 m, Ø 6 m, Ø 7 m, 3.5 x 3.5 m, 3 x 4 m, 3 x 6 m, 3.5 x 7 m with valance, 4 x 8 m with valance and 5 x 5.85 m with valance please opt for KitA 8RGB 4Z.

Kit A 4RGB 4Z art. no. 355157

400 V connection. Kit consists of:	quantity	art. no.
Power supply within centre pole	1	354526
Electrical harness	1	200566
Automatic auxiliary cut out switch	1	202051
Cabling, short (please state position intended)	4	200585
Swift-fold spar	4	200578
Infrared heater (RAL 9010 or 9006)	4	200430
Power supply unit (PSU) for max. 6 LED bars, integrated in parasol	1	351920
Bluetooth remote dimmer v16-9	1	352888
LED-bar RGB-ww (colours and warmwhite)	4	353925

For parasol size 4,5 x 5,5 m, please opt for Kit A 4RGB 4A.

Kit A 6RGB 4Z art. no. 352991

400 V connection. Kit consists of:	quantity	art. no.
Power supply within centre pole	1	354526
Electrical harness	1	200566
Automatic auxiliary cut out switch	1	202051
Cabling, short (please state position intended)	4	200585
Swift-fold spar	4	200578
Infrared heater (RAL 9010 or 9006)	4	200430
Power supply unit (PSU) for max. 6 LED bars, integrated in parasol	1	351920
Bluetooth remote dimmer v16-9	1	352888
LED-bar RGB-ww (colours and warmwhite)	6	353925

For parasol size 4,5 x 5,5 m, please opt for Kit A 6RGB 4A.

Kit A 8RGB 4Z art. no. 352994

12 V + 400 V connection. Kit consists of:	quantity	art. no.
Power supply within centre pole	1	354527
Electrical harness	1	200566
Automatic auxiliary cut out switch	1	202051
Cabling, short (please state position intended)	4	200585
Swift-fold spar	4	200578
Infrared heater (RAL 9010 or 9006)	4	200430
Power supply unit (PSU) for max. 20 LED bars, installed on the outdoor wall or inside the house	1	350271
Bluetooth remote dimmer v16-9	1	352888
LED-bar RGB-ww (colours and warmwhite)	8	353925

For parasol size 4,5 x 5,5 m, please opt for Kit A 8RGB 4A.

Tubular motor

Tubular motor: Please order radio transmitter separately, see page 152.



Tubular motor + LED lighting warm white

Tubular motor: Please order radio transmitter separately, see page 152.

To dim the LED bar warm white by smart phone or radio transmitter, order the Bluetooth remote dimmer art. no. 352888 and the Bluetooth remote control sender art. no. 352890 see page 186, if applicable.



Kit A 0 M art. no. 353015

	quantity	art. no.
230 V connection. Kit consists of		
W-MAY 3-pole plug connector	1	352422
Tubular motor (radio controlled)	1	202112
Electrical harness	1	350932

Kit A 4LED M art. no. 350967

	quantity	art. no.
12 V + 230 V connection. Kit consists of:		
W-MAY 3-pole plug connector	1	352422
H1-MAY plug connector	1	350931
Power supply within centre pole	1	354523
Electrical harness	1	350932
Power supply unit (PSU) for max. 6 LED bars, installed on the outdoor wall or inside the house	1	351920
LED bar, warm white, without spot optics	4	352187
Tubular motor (radio controlled)	1	202112

Kit A 6LED M art. no. 350968

	quantity	art. no.
12 V + 230 V connection. Kit consists of:		
W-MAY 3-pole plug connector	1	352422
H1-MAY plug connector	1	350931
Power supply within centre pole	1	354523
Electrical harness	1	350932
Power supply unit (PSU) for max. 6 LED bars, installed on the outdoor wall or inside the house	1	351920
LED bar, warm white, without spot optics	6	352187
Tubular motor (radio controlled)	1	202112

Kit A 8LED M art. no. 350969

	quantity	art. no.
12 V + 230 V connection. Kit consists of:		
W-MAY 3-pole plug connector	1	352422
H1-MAY plug connector	1	350931
Power supply within centre pole	1	354523
Electrical harness	1	350932
Power supply unit (PSU) for max. 20 LED bars, installed on the outdoor wall or inside the house	1	350271
LED bar, warm white, without spot optics	8	352187
Tubular motor (radio controlled)	1	202112

Kit A 10LED M art. no. 350970

12 V + 230 V connection. Kit consists of:	quantity	art. no.
W-MAY 3-pole plug connector	1	352422
H1-MAY plug connector	1	350931
Power supply within centre pole	1	354523
Electrical harness	1	350932
Power supply unit (PSU) for max. 20 LED bars, installed on the outdoor wall or inside the house	1	350271
LED bar, warm white, without spot optics	10	352187
Tubular motor (radio controlled)	1	202112

Kit A 12LED M art. no. 350971

12 V + 230 V connection. Kit consists of:	quantity	art. no.
W-MAY 3-pole plug connector	1	352422
H1-MAY plug connector	1	350931
Power supply within centre pole	1	354523
Electrical harness	1	350932
Power supply unit (PSU) for max. 20 LED bars, installed on the outdoor wall or inside the house	1	350271
LED bar, warm white, without spot optics	12	352187
Tubular motor (radio controlled)	1	202112

Kit A 4RGB M art. no. 352979

12 V + 230 V connection. Kit consists of:	quantity	art. no.
W-MAY 3-pole plug connector	1	352422
H1-MAY plug connector	1	350931
Power supply within centre pole	1	354523
Electrical harness	1	350932
Power supply unit (PSU) for max. 6 LED bars, installed on the outdoor wall or inside the house	1	351920
Bluetooth remote dimmer v16-9	1	352888
LED-bar RGB-ww (colours and warmwhite)	4	353925
Tubular motor (radio controlled)	1	202112

Kit A 6RGB M art. no. 352980

12 V + 230 V connection. Kit consists of:	quantity	art. no.
W-MAY 3-pole plug connector	1	352422
H1-MAY plug connector	1	350931
Power supply within centre pole	1	354523
Electrical harness	1	350932
Power supply unit (PSU) for max. 6 LED bars, installed on the outdoor wall or inside the house	1	351920
Bluetooth remote dimmer v16-9	1	352888
LED-bar RGB-ww (colours and warmwhite)	6	353925
Tubular motor (radio controlled)	1	202112

Tubular motor + LED lighting RGB-ww (colours & warmwhite)

Tubular motor: Please order radio transmitter separately, see page 152.

LED-bar RGB-ww
(colours and warmwhite):
Information on colour control and
dimming by smartphone or
Bluetooth remote control sender
art. no. 352890, see page 186.



Kit A 8RGB M art. no. 352981

12 V + 230 V connection. Kit consists of:	quantity	art. no.
W-MAY 3-pole plug connector	1	352422
H1-MAY plug connector	1	350931
Power supply within centre pole	1	354523
Electrical harness	1	350932
Power supply unit (PSU) for max. 20 LED bars, installed on the outdoor wall or inside the house	1	350271
Bluetooth remote dimmer v16-9	1	352888
LED-bar RGB-ww (colours and warmwhite)	8	353925
Tubular motor (radio controlled)	1	202112

Kit A 10RGB M art. no. 352982

12 V + 230 V connection. Kit consists of:	quantity	art. no.
W-MAY 3-pole plug connector	1	352422
H1-MAY plug connector	1	350931
Power supply within centre pole	1	354523
Electrical harness	1	350932
Power supply unit (PSU) for max. 20 LED bars, installed on the outdoor wall or inside the house	1	350271
Bluetooth remote dimmer v16-9	1	352888
LED-bar RGB-ww (colours and warmwhite)	10	353925
Tubular motor (radio controlled)	1	202112

Kit A 12RGB M art. no. 352983

12 V + 230 V connection. Kit consists of:	quantity	art. no.
W-MAY 3-pole plug connector	1	352422
H1-MAY plug connector	1	350931
Power supply within centre pole	1	354523
Electrical harness	1	350932
Power supply unit (PSU) for max. 20 LED bars, installed on the outdoor wall or inside the house	1	350271
Bluetooth remote dimmer v16-9	1	352888
LED-bar RGB-ww (colours and warmwhite)	12	353925
Tubular motor (radio controlled)	1	202112

ALBATROS

ACCESSORIES



ALBATROS 5.0 x 5.85 m
MayTex-Acryl SA 314 010 white

ALBATROS – mobile installation options

Full frame pedestal

frame size 112 x 112 cm, total height 46 cm, height of frame $x = 9$ cm, weight approx. 60 kg, galvanized, theft pin as standard fitting (not at parasols with tubular motor). Suited for XZ49 or standard concrete slabs 50 x 50 x 5 cm (concrete slabs with cut off edge).

art. no. **AZ111**



Full frame pedestal

incl. 8 diagonal support levelling screws, frame size 112 x 112 cm, total height 48 cm, max. 53 cm, weight approx. 63 kg, galvanized, theft pin as standard fitting (not at parasols with tubular motor). Suited for XZ49 or standard concrete slabs 50 x 50 x 5 cm (concrete slabs with cut off edge).

art. no. **AZ112**



Full frame pedestal on feet

for forklift or lift truck transport, 8 diagonal support levelling screws allow a height adjustment of 4 cm each, frame size, frame size 112 x 112 cm, foot height $y = 10$ to 14 cm, total height 56 cm, max. 60 cm, weight approx. 63 kg, galvanized, theft pin as standard fitting (not at parasols with tubular motor). Suited for XZ49 or standard concrete slabs 50 x 50 x 5 cm (concrete slabs with cut off edge).

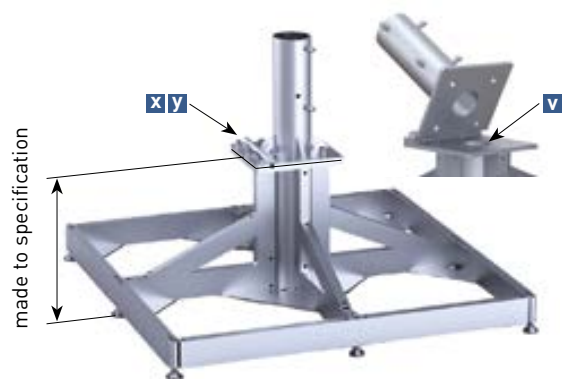
art. no. **AZ116**



Full frame pedestal with placement hinge

customized height to fit patio surface, incl. 8 diagonal support levelling screws, frame size 112 x 112 cm, weight approx. 74 kg, galvanized, theft pin as standard fitting, incl. top plate for winter protection. Suited for XZ49 or standard concrete slabs 50 x 50 x 5 cm (concrete slabs with cut off edge), $v =$ bore for power cable through centre post $\varnothing 8.5$ cm, $x = 24$ cm, $y = 27.3$ cm.

art. no. **AZ210**

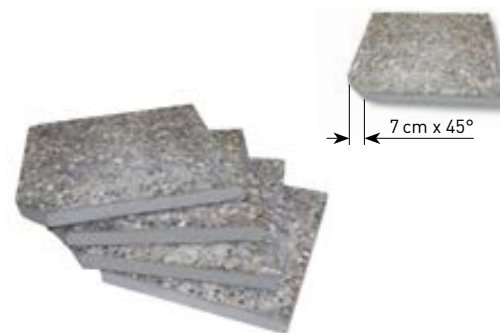


ALBATROS – mobile installation options

Concrete slabs with cut off edge

1 set = 4 slabs, each 50 x 50 x 5 cm. Cut off edge 70 mm x 45°.
weight per slab: approx. 30 kg, total weight approx. 120 kg.

art. no. **XZ49**



Steel plates with cut off edge

1 set = 4 slabs, each 50 x 50 x 1.2 cm. Cut off edge 70 mm x 45°.
Weight per slab: approx. 29 kg, total weight approx. 116 kg.

art. no. **XZ51**



ALBATROS – mobile installation options

Base pedestal with placement hinge

1-layer, 4 steel plates, on site assembled, heaviest component approx. 63 kg, base 147 x 147 cm, steel plate thickness $x = 15$ mm, galvanized, lockable with theft lock as standard, weight approx. 277 kg,
 v = bore for power cable through centre post $\varnothing 8.5$ cm.

art. no. **AZ246**



Base pedestal with placement hinge

2-layer, 8 steel plates, on site assembled, heaviest component approx. 63 kg, base 147 x 147 cm, steel plate thickness $x = 15$ mm, installation height 2 layer steel plates $y = 30$ mm, galvanized, lockable with theft lock as standard, weight approx. 526 kg,
 v = bore for power cable through centre post $\varnothing 8.5$ cm.

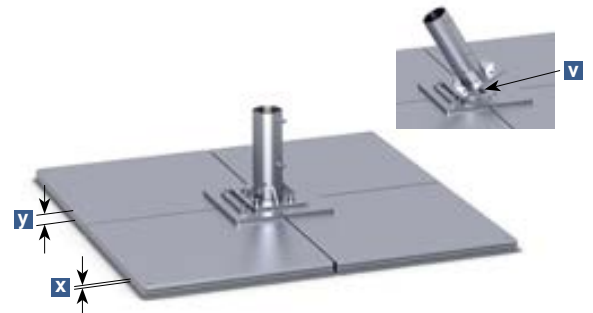
art. no. **AZ247**



Base pedestal with placement hinge

3-layer, 12 steel plates, on site assembled, heaviest component approx. 63 kg, base 147 x 147 cm, steel plate thickness $x = 15$ mm, installation height 3 layer steel plates $y = 45$ mm galvanized, lockable with theft lock as standard, weight approx. 775 kg,
 v = bore for power cable through centre post $\varnothing 8.5$ cm.

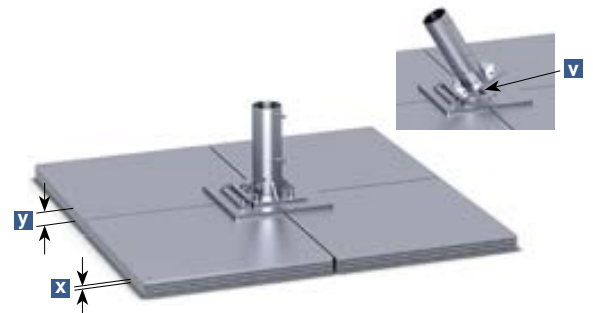
art. no. **AZ248**



Base pedestal with placement hinge

4-layer, 16 steel plates, on site assembled, heaviest component approx. 63 kg, base 147 x 147 cm, steel plate thickness $x = 15$ mm, installation height 4 layer steel plates $y = 60$ mm galvanized, lockable with theft lock as standard, weight approx. 1024 kg,
 v = bore for power cable through centre post $\varnothing 8.5$ cm.

art. no. **AZ249**



Anti-slip mat

1 set = 4 pieces, 73 x 73 cm each, suitable for the steel plates of the installation options AZ246, AZ247, AZ248, AZ249, AZ256, AZ257, AZ258 and AZ259. Increases the coefficient of friction between steel plate and floor covering (wood, concrete slabs, asphalt), and therefore reduces the risk of slipping during windy weather. Colour black, $x = 3$ mm.

art. no. **352789**



ALBATROS

INSTALLATION
OPTIONS



ALBATROS 5.5 x 5.5 m
MayTex-Acryl DA 8779 olive brown



NEW!

*** NEW!**

Concrete parasol base 995 kg for parasols without electrics

Stylish concrete base suitable for all locations that does not allow for a stationary installation option. The smooth fair faced concrete surface can be used as a seat, however, a local carpenter can also construct a cover that optimally integrates the base into your inventory. Useful openings enable the transport with a forklift or lift truck. Up to 4 cm difference in vertical height can be levelled by 4 adjustable feet. $y = 4.5$ to 8.5 cm.

height of concrete $x = 47.5$ cm, $z = 7$ cm, total height min. 88 cm, max. 92 cm, base 110×110 cm, including concrete reinforcement.

As the ALBATROS centre pole rests on top of the concrete base, the height measurements of the parasol increase about 48.5-52.5 cm. The exact measure depends on the setting of the 4 adjustable feet.

Upper tube: Anchor tube AZ120, encased in concrete, with placement hinge, hot-dip galvanised, lockable with theft lock as standard, included in delivery, without cover disc for winter cover.

Installation information: The elevated position of the placement hinge complicates the installation of the parasol. The parasol needs a minimum ground clearance of 60 cm (see catalogue, measure F), to ensure the spoke ends won't get damaged by the concrete base during assembly, possibly order a length extension of centre pole. Looking at the head clearance, a centre pole shortening may be appropriate. However, this is not possible for all sizes and in combination with the tabular motor. The picture above shows a parasol with a shortened centre pole.

Pay attention to the minimum ballast required depending on the size of parasol. A fork lift must be available on site for the delivery.

art. no. **AZ361**

ALBATROS 6.0 x 6.0 m
MayTex-Acryl SA 314 014 mandarine



ALBATROS – stationary installation options

***NEW!**

Concrete parasol base 995 kg for parasols with electrics

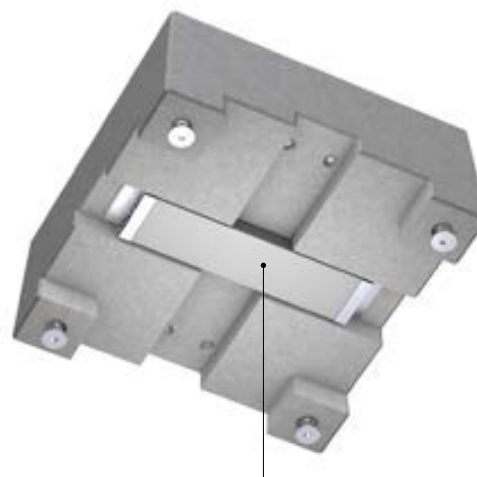
Concrete base analogue AZ361. The integrated cable channel enables a flexible connection of power and speaker cables.

The cable channel is flush mounted at the bottom. Therefore, the forklift or lift truck cannot damage it during transport. The cable channel can be removed, turned about 90°, and fixed again (flexible alignment with placement hinge).

The local electrician connects the power supply to the distributor box, tension relief is ensured by a special end construction with cable gland. If possible, we recommend to run the cable below ground or otherwise to protect it by a cable bridge.

v = bore for power cable through centre post Ø 8.5 cm.

art. no. **AZ371**



integrated on-wall box

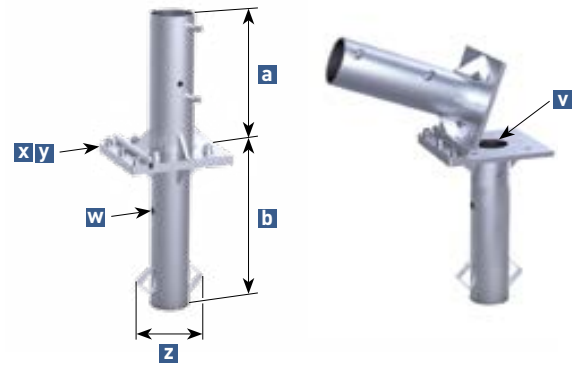
ALBATROS – stationary installation options

Anchor foot to be embedded in concrete with placement hinge

2 pieces, theft pin as standard fitting, galvanized, weight approx. 20.5 kg, incl. top plate for winter protection. Pre-drill parasol with anchor foot on site.

v = bore for power cable through centre post \varnothing 8.5 cm,
w = bore hole for underground cable \varnothing 1.3 cm,
a = 36 cm, b = 41 cm, x = 24 cm, y = 27.3 cm, z = 14.5 cm.

art. no. **AZ120**



AZ120 options: galvanized

AZ120 upper anchor tube, extra length



AZ120 lower anchor tube, extra length



AZ120 options: galvanized with additional powder-coating

AZ120 upper anchor tube, standard length



RAL 9010

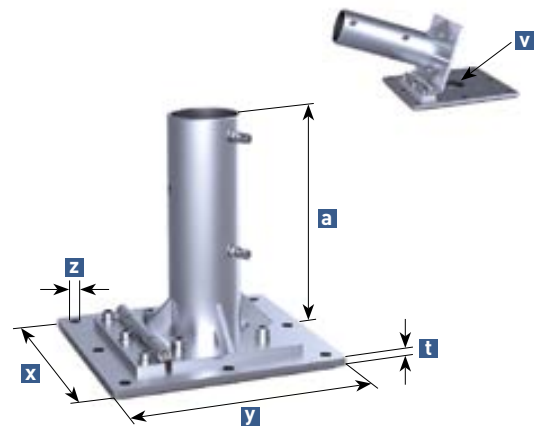
RAL 7016

ALBATROS – stationary installation options

Dowel-anchored plate with placement hinge

2 pieces, theft pin as standard fitting, galvanized, weight approx. 22 kg. Pre-drill parasol to top of anchor plate on site. Two packages of heavy-duty anchor bolts needed (art. no. 200900).
 v = bore for power cable through centre post \varnothing 8.5 cm,
 a = 37.5 cm, x = 34 cm, y = 37.5 cm, t = 1.2 cm, z = \varnothing 1.8 cm

art. no. **AZ024**



Dowel-anchored plate with placement hinge

customized height to fit patio surface, 2 pieces, theft pin as standard fitting, galvanized, anchor plate 50 x 50 cm, weight approx. 44 kg, incl. top plate for winter protection. Pre-drill parasol to top of anchor plate on site.

v = bore for power cable through centre post \varnothing 8.5 cm.
 Two packages of heavy-duty anchor bolts needed (art. no. 200900).

art. no. **AZ128**

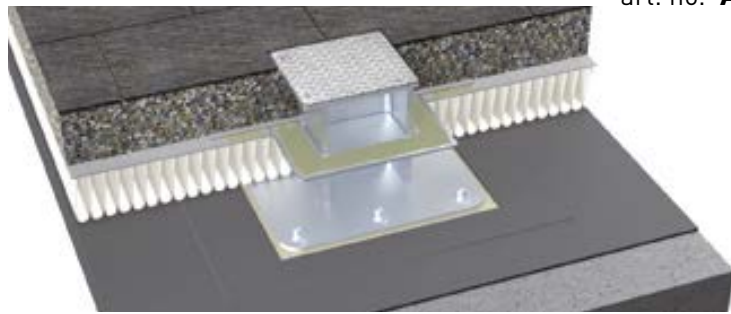


ALBATROS – stationary installation options

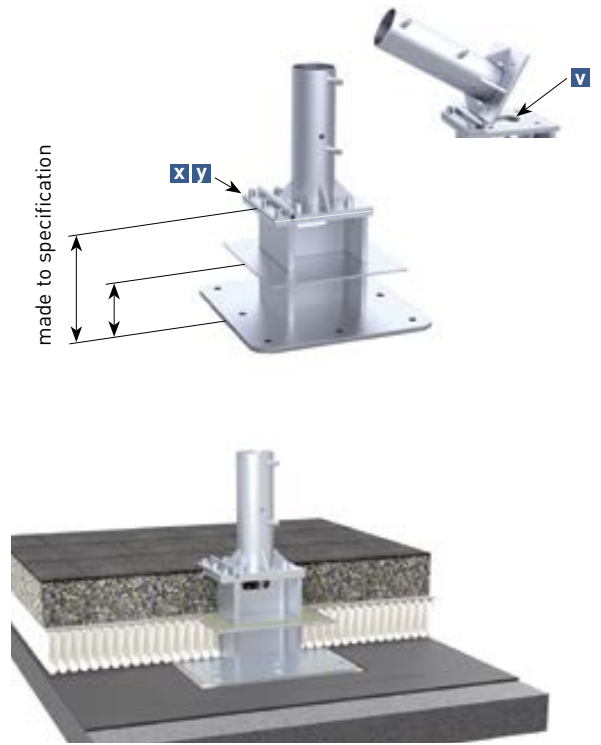
Flat- roof dowel-anchored plate with placement hinge

externally insulated roof system, system- conform flat roof connection with liquid plastic, customized height to fit flat roof surface, screw-off upper part, lockable with theft lock as standard, galvanized, anchor plate 50 x 50 cm, weight approx. 65 kg, incl. top plate for winter protection. Pre-drill parasol to top of anchor plate on site. Two packages of heavy-duty anchor bolts needed (art. no. 200900).

v = bore for power cable through centre post \varnothing 8.5 cm,
x = 24 cm, y = 27.3 cm.



art. no. **AZ186**

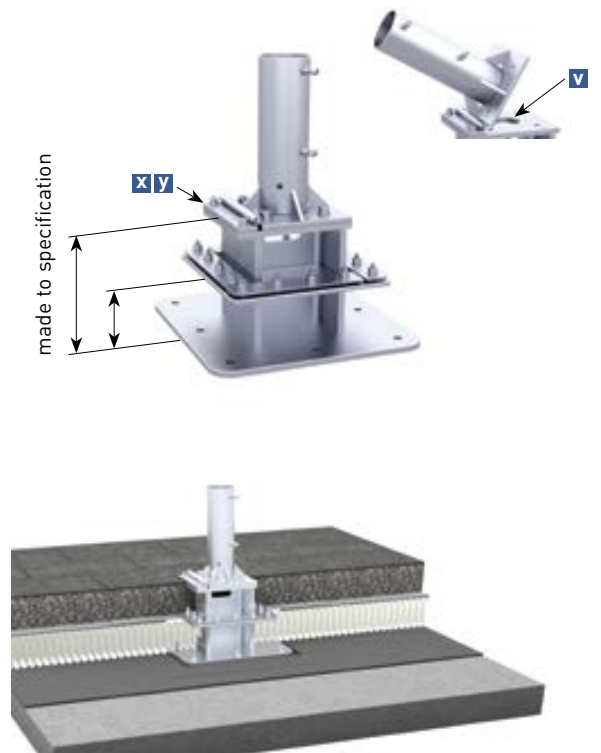


Flat-roof dowel-anchored plate with upper anchor tube

externally insulated roof system, loose-and-fixed flange assembly, bitumen waterproofing system and synthetic waterproofing material. Total height is determined by order to achieve the same level as the flat roof ground, dowelled plate 50 x 50 cm. Upper part removable, lockable with theft lock as standard, galvanized, weight approx. 37 kg, including top plate for winter protection. Pre-drill parasol to top of anchor plate on site. Two packages of heavy-duty anchor bolts needed (art. no. 200900), v = bore for power cable through centre post \varnothing 8.5 cm, x = 24 cm, y = 27.3 cm.



art. no. **AZ194**



Anchor bolt

bolt and nut, fits for AZ024, AZ128, AZ186 and AZ194 (2 packages needed) approved for cracked and non-cracked concrete B25 to B55 (old compressive strength classes) C20/25 to C50/60, (new EU classification), also suitable for concrete B15 and natural stone with dense structure. Concrete bore hole \varnothing 16 x 115 mm, in stainless steel A4. Package contains 4 bolts. European Technical Approval ETA-05/0069.

art. no. **200900**



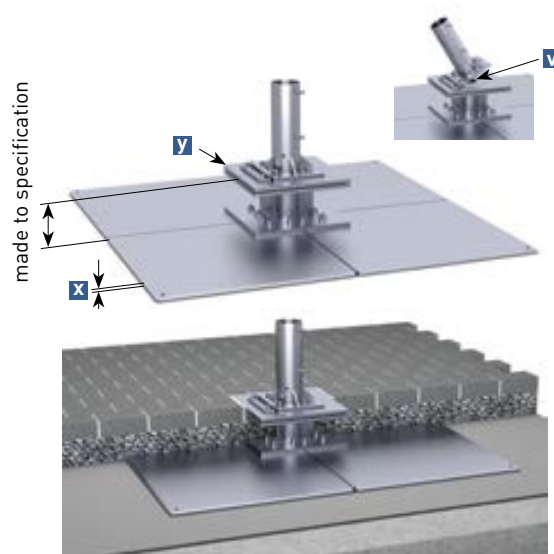
ALBATROS – stationary installation options

Base pedestal with placement hinge

total height is determined by order to achieve patio level, 1-layer, 4 steel plates, on site assembled, heaviest component approx. 63 kg, base 147 x 147 cm, steel plate thickness $x = 15$ mm, galvanized, weight approx. 322 kg, including top plate, screw-off upper part, lockable with theft lock as standard, for winter protection.

v = bore for power cable through centre post $\varnothing 8.5$ cm, $y = \square 40$ cm.

art. no. **AZ256**

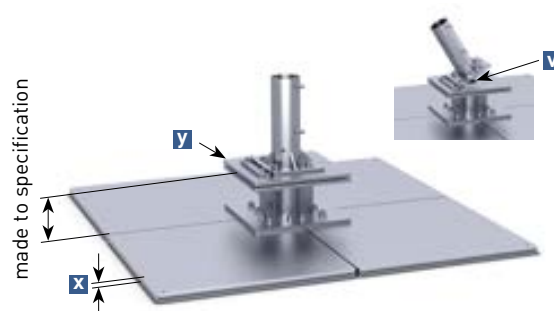


Base pedestal with placement hinge

total height is determined by order to achieve patio level, 2-layer, 8 steel plates, on site assembled, heaviest component approx. 63 kg, base 147 x 147 cm, steel plate thickness $x = 15$ mm, top part removable, lockable with theft lock as standard, galvanized, weight approx. 568 kg, including top plate for winter protection.

v = bore for power cable through centre post $\varnothing 8.5$ cm, $y = \square 40$ cm.

art. no. **AZ257**

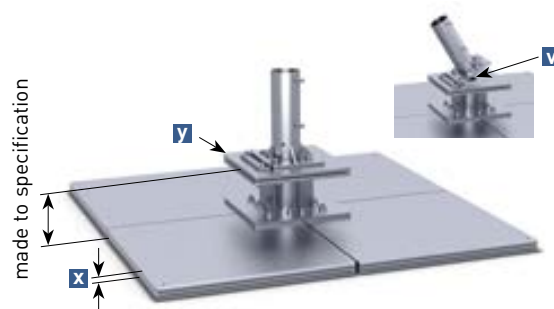


Base pedestal with placement hinge

total height is determined by order to achieve patio level, 3-layer, 12 steel plates, on site assembled, heaviest component approx. 63 kg, base 147 x 147 cm, steel plate thickness $x = 15$ mm, top part removable, lockable with theft lock as standard, galvanized, weight approx. 817 kg, including top plate for winter protection.

v = bore for power cable through centre post $\varnothing 8.5$ cm, $y = \square 40$ cm.

art. no. **AZ258**



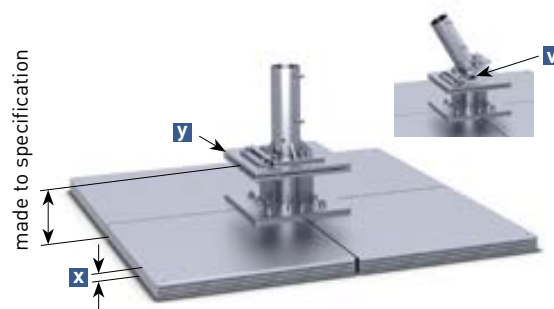
* NEW!

Base pedestal with placement hinge

total height is determined by order to achieve patio level, 4-layer, 16 steel plates, on site assembled, heaviest component approx. 63 kg, base 147 x 147 cm, steel plate thickness $x = 15$ mm, top part removable, lockable with theft lock as standard, galvanized, weight approx. 1066 kg, including top plate for winter protection.

v = bore for power cable through centre post $\varnothing 8.5$ cm, $y = \square 40$ cm.

art. no. **AZ259**



Theft pin

padlock and pin, in stainless steel, for support pole $\varnothing 100$ mm. suitable for retrofitting.

art. no. **200826**





CONTACT US



ShadeZone

Alfresco Specialists

The S Zone UK Limited, Unit B4 -B5 Citadel Trading Estate,
Citadel Way, Hull, HU9 1TQ. United Kingdom

Telephone: +44 (0)1482 219919 | Email: info@s-zone.co.uk
www.shadezone.co.uk

